



Technical specifications

Filex Galaxy monitor arm



Key features



90°Rotation stop



The gas spring of the Filex monitor arm can hold a screen weighing from 2 to 12 kg



Integrated cable management



Easily adjustable in height and depth



The Filex Galaxy series are patented



The VESA quick release is attached to the monitor with screws without additional tools.



Suitable for multiple screens



Simple mounting through VESA quick release for mounting of various screens



100 % recyclable and made of 98.8% sustainable materials



Including 5-year warranty

Modular components



Clamps overview

1. Filex Galaxy Desk Clamp

With the standard Filex Galaxy Desk clamp, you can mount the monitor arm on the desk in a neat and tidy way. The budget friendly, solid clamp can be used modularly.

2. Filex Galaxy Clamp incl. desk feed through

With this clamp, the Filex Galaxy monitor arm can be mounted on or through the desktop. The clamp has an integrated cable grommet. This clamp can be used directly with one of the Filex arm parts. The clamp cannot be extended.

3. Filex Galaxy Desk feed

The Filex Galaxy Desk through mount ensures neat and stable mounting at any desired location on the desktop. An ideal clamp if you cannot use a desk clamp. Architects find this a nice solution.

4. Filex Galaxy clamp topdown including feedthrough

The unique design of this top-down clamp allows it to be mounted easily, quickly and ergonomically from above rather than below the desk. The clever clamping technique allows the topdown clamp to be mounted on almost any type of desktop. Including sliding tops and tops with a facet. Even if there is a partition, you can easily slide the clamp to the place where you want it.



5. Filex Galaxy Desk clamp topdown incl. feedthrough + Filex Galaxy Adapter for leaf clamp topdown

The adapter is an addition to the topdown desk clamp and allows you to place an arm part on the clamp directly, without the use of a post. Only to be used in combination with a Filex Galaxy Desk clamp topdown incl. feedthrough. This adapter can also be used as desk through.



6. Filex Galaxy Clamp sliding desk

This Filex desk clamp is specially designed for desks with sliding tops, faceted tops, standard desks or desks with little space behind the desktop. And also for desktops with an integrated cable duct at the back. Always to be used in combination with a post!



7. Filex Galaxy Universal toolbar/ wall clamp

The Filex Galaxy Universal Toolbar / Wall Clamp is suitable for wall mounting and can be attached directly to the rail (toolbar) by means of the clamp function.



1. Filex Galaxy Desk Clamp

With the standard Filex Galaxy Desk clamp, you can mount the monitor arm on the desk in a neat and tidy way. The budget friendly, solid clamp can be used modularly.



BNEFG809450 - White

BNEFG809451 - Silver

BNEFG809452 - Black



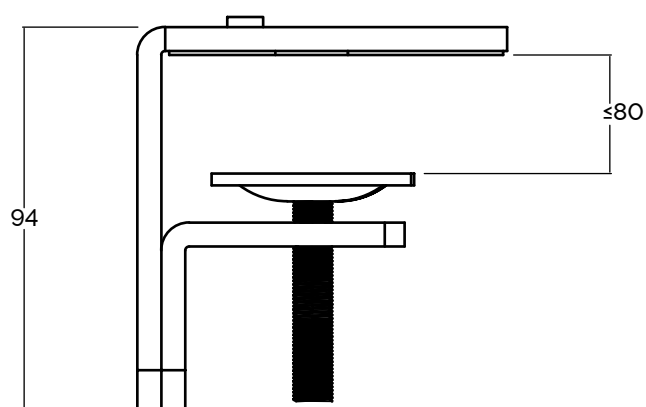
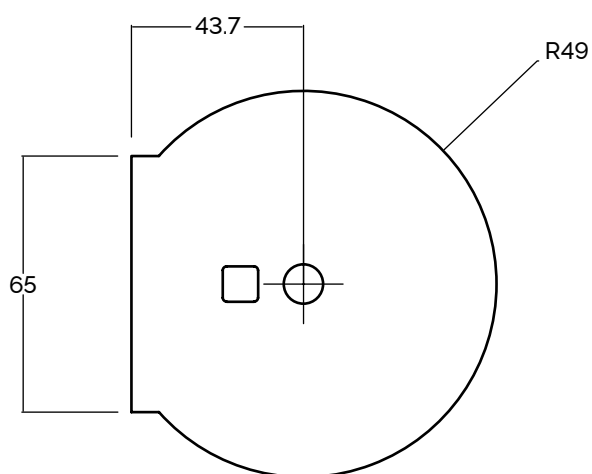
Clamping range

80mm



Mounting with

Allen key mechanism



2. Filex Galaxy Clamp incl. desk feed through

With this clamp, the Filex Galaxy monitor arm can be mounted on or through the desktop. The clamp has an integrated cable grommet. This clamp can be used directly with one of the Filex arm parts. The clamp cannot be extended.



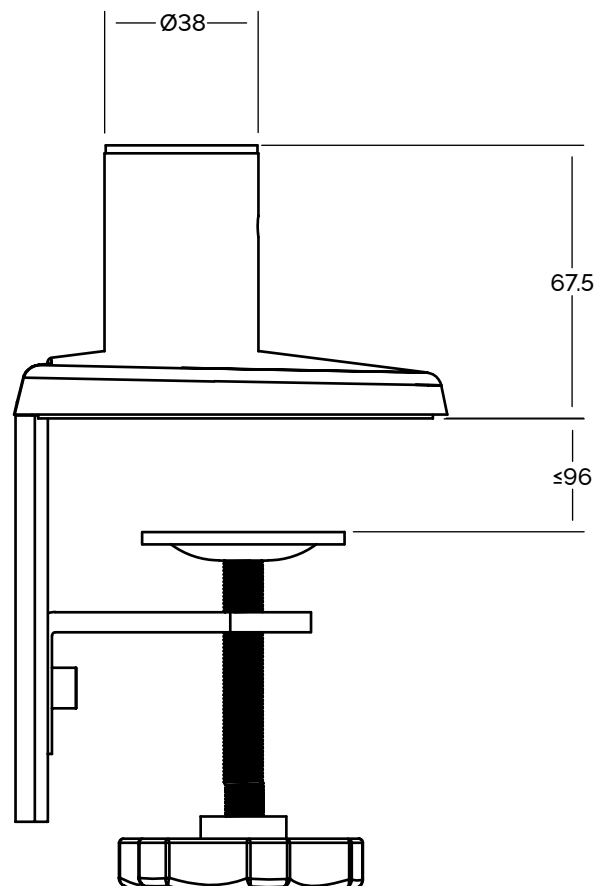
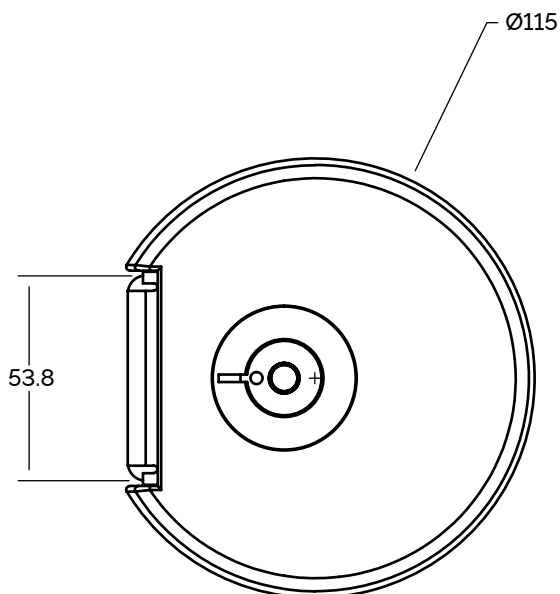
BNEFG809453 - White
BNEFG809454 - Silver
BNEFG809455 - Black



Clamping range
 96mm



Mounting with
 Rotary Screw



Dimensions are in mm

3. Filex Galaxy Desk feed

The Filex Galaxy Desk through mount ensures neat and stable mounting at any desired location on the desktop. An ideal clamp if you cannot use a desk clamp. Architects find this a nice solution.



BNEFG809460 - White

BNEFG809461 - Silver

BNEFG809462 - Black



Clamping range

10 - 60 mm



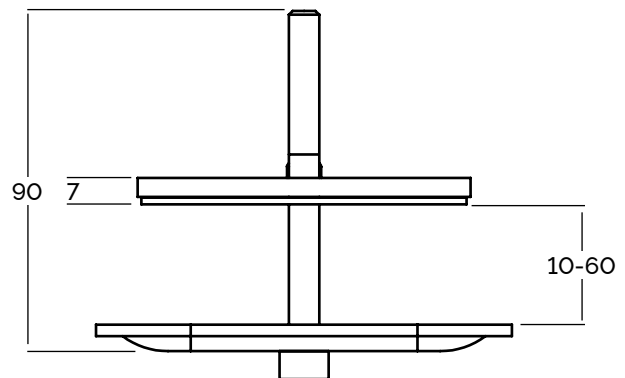
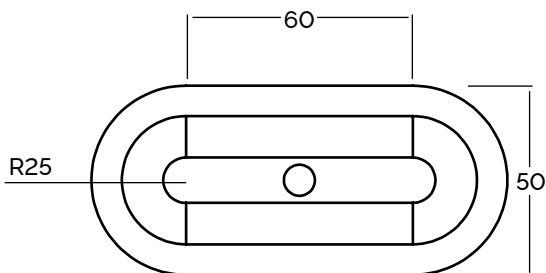
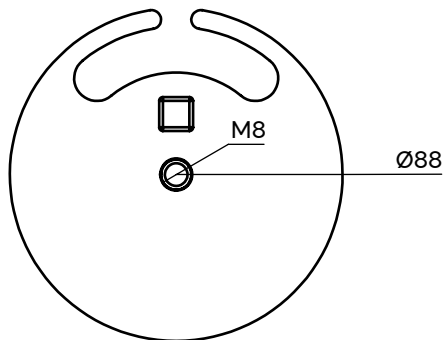
Mounting with

Allen key mechanism



Diameter throughput

min 8. to 62 mm (screw Ø M8)



4. Filex Galaxy clamp topdown including feedthrough

The unique design of this top-down clamp allows it to be mounted easily, quickly and ergonomically from above rather than below the desk. The clever clamping technique allows the topdown clamp to be mounted on almost any type of desktop. Including sliding tops and tops with a facet. Even if there is a partition, you can easily slide the clamp to the place where you want it.



BNEFG809520 - White

BNEFG809521 - Silver

BNEFG809522 - Black



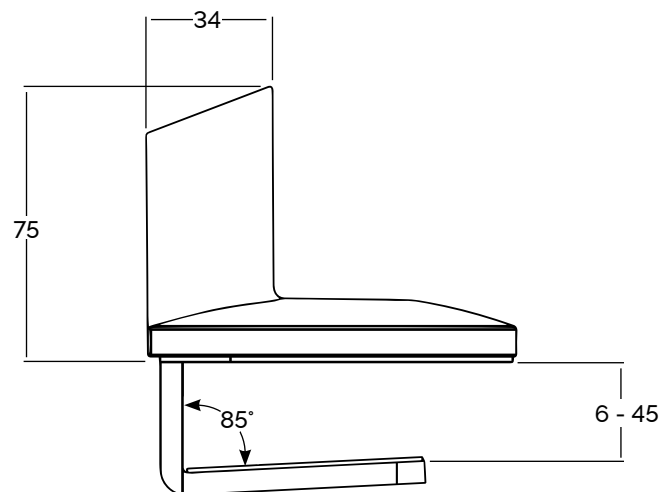
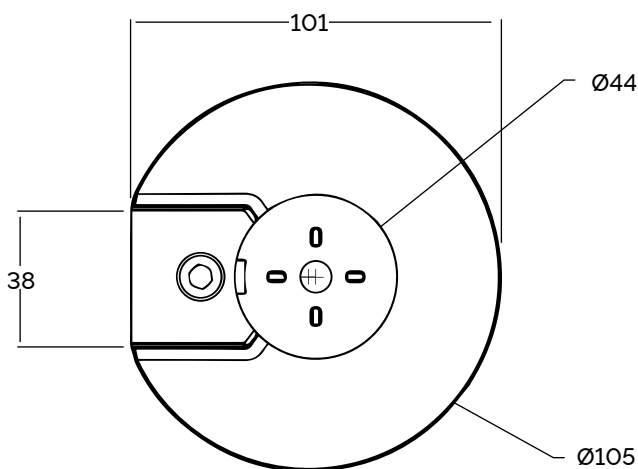
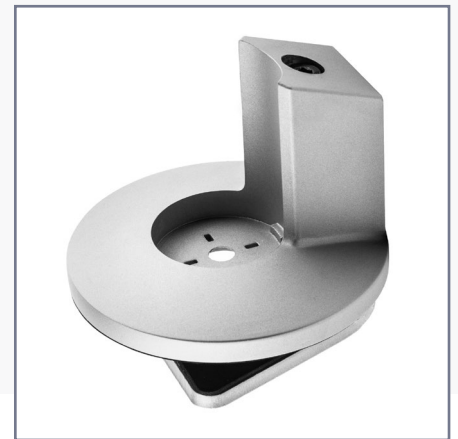
Clamping range

6 - 45 mm




Mounting with


Allen key mechanism




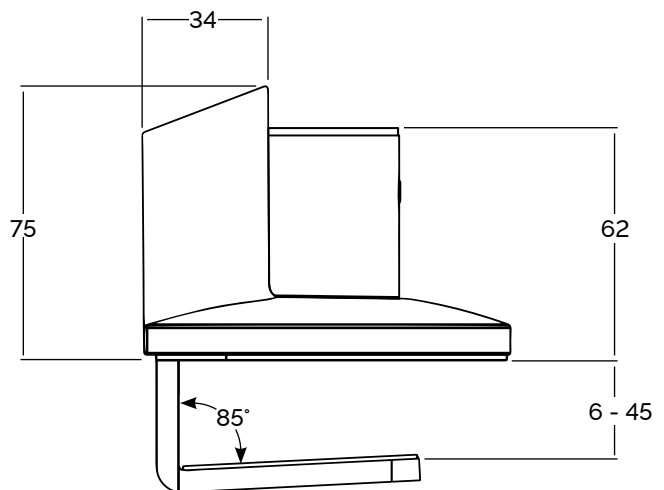
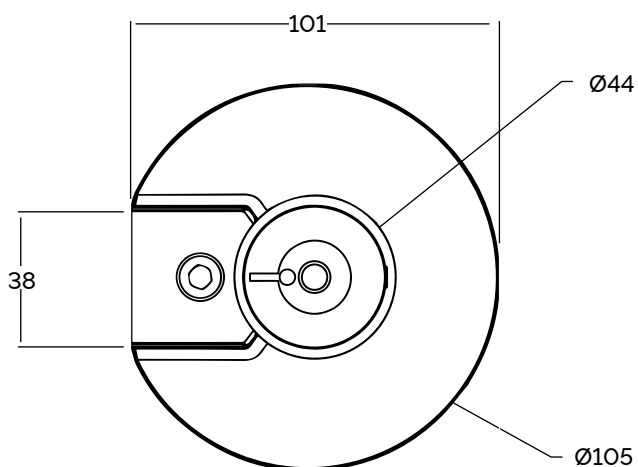
5. Filex Galaxy Desk clamp topdown incl. feedthrough + Filex Galaxy Adapter for leaf clamp topdown

The adapter is an addition to the topdown desk clamp and allows you to place an arm part on the clamp directly, without the use of a post. Only to be used in combination with a Filex Galaxy Desk clamp topdown incl. feedthrough. This adapter can also be used as desk through.

-  **BNEFG809523** - White
- BNEFG809524** - Silver
- BNEFG809525** - Black

 **Clamping range**
6 - 45 mm

 **Mounting with**
Allen key mechanism



6. Filex Galaxy Clamp sliding desk

This Filex desk clamp is specially designed for desks with sliding tops, faceted tops, standard desks or desks with little space behind the desktop. And also for desktops with an integrated cable duct at the back. Always to be used in combination with a post!



BNEFG809456 - Black

BNEFG809457 - Silver

BNEFG809458 - White



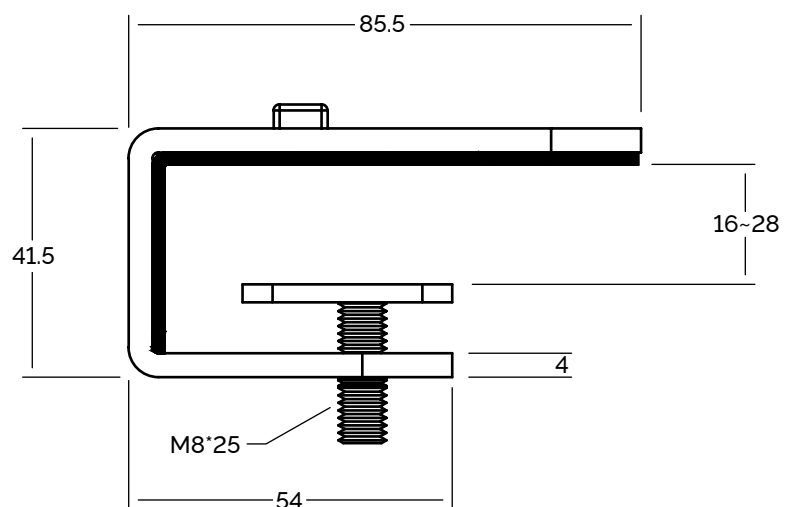
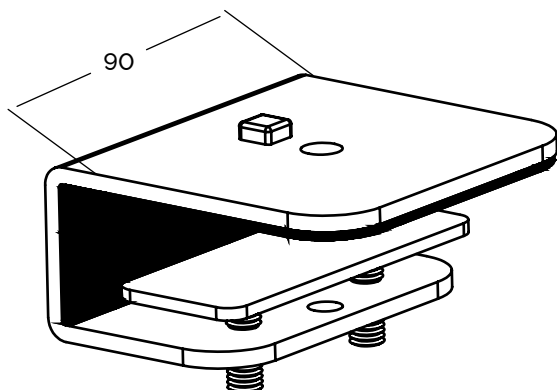
Clamping range

16 - 28 mm



Mounting with

Allen key mechanism



Dimensions are in mm

7. Filex Galaxy Universal toolbar/ wall clamp

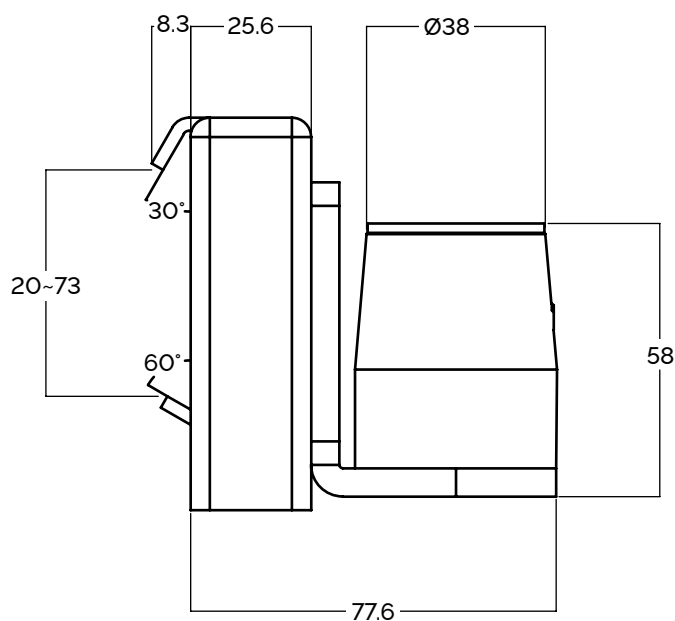
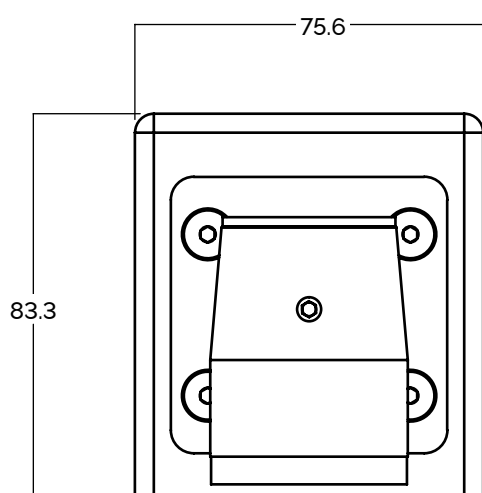
The Filex Galaxy Universal Toolbar / Wall Clamp is suitable for wall mounting and can be attached directly to the rail (toolbar) by means of the clamp function.

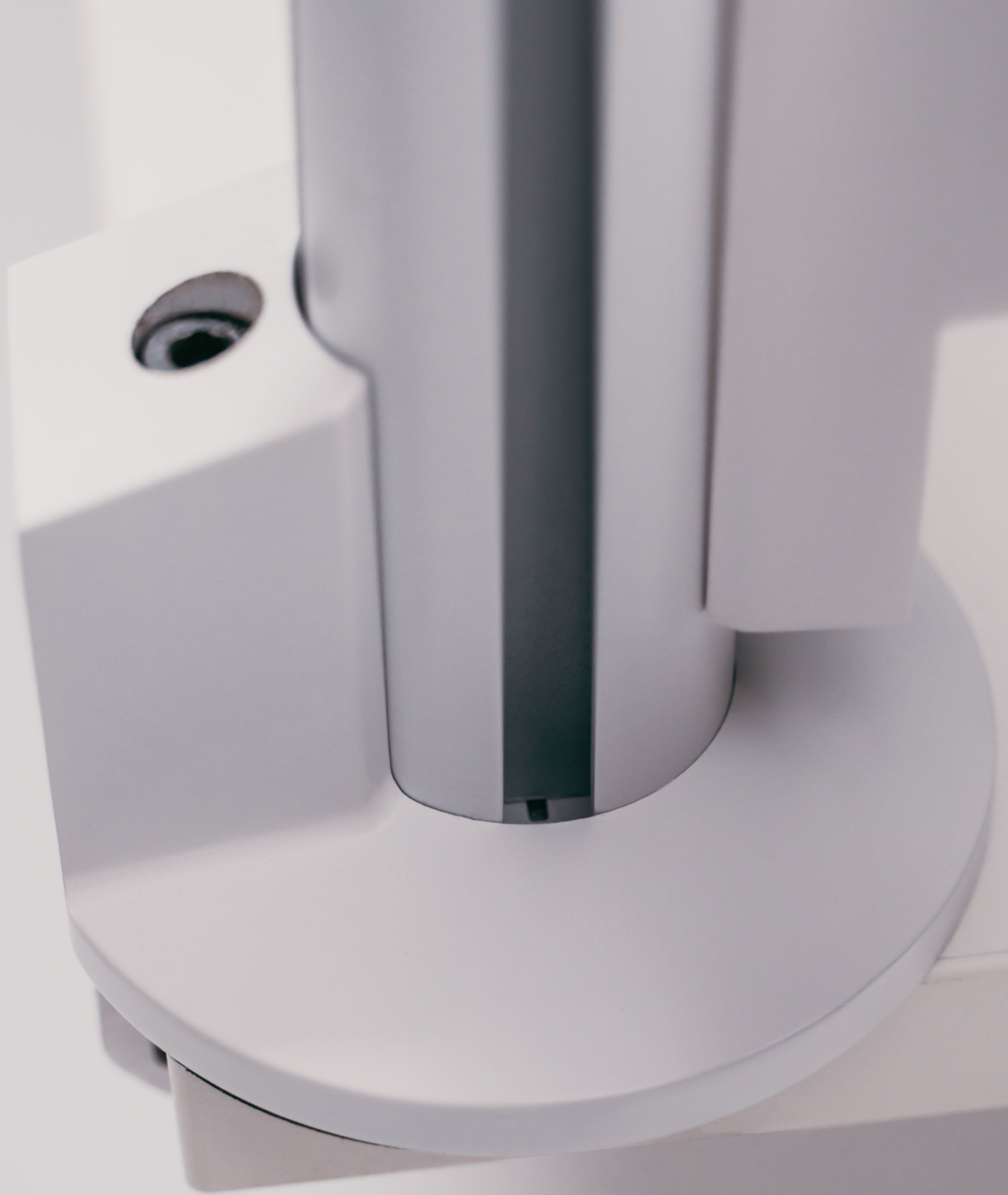


BNEFG809499 - Silver

BNEFG809504 - White

BNEFG809505 - Black





Post Overview

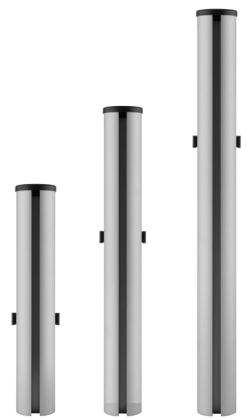
8. Filex Galaxy Toolbar 150cm

By equipping this Toolbar with a Filex Galaxy post on both left and right, you can build any desired set-up and have a unique, professional solution for your workplace. This solution is used for applications where you want to have several applications or screens visible at the same time. The minimum width is approximately 170cm.

9. Filex Galaxy Posts

The entire length of the post is fitted with a mounting rail/slot on four sides that can accommodate the infinitely height-adjustable connector for mounting the monitor, Thin Client CPU holder, Filex Galaxy Laptop holder, etc. The post is fitted with a cover at the top and a cable management bracket at the back for cable management.

- 22 cm
- 45 cm
- 70 cm



8. Filex Galaxy Toolbar 150cm

By equipping this Toolbar with a Filex Galaxy post on both left and right, you can build any desired set-up and have a unique, professional solution for your workplace. This solution is used for applications where you want to have several applications or screens visible at the same time. The minimum width is approximately 170cm.



BNEFG809506 - White

BNEFG809507 - Silver

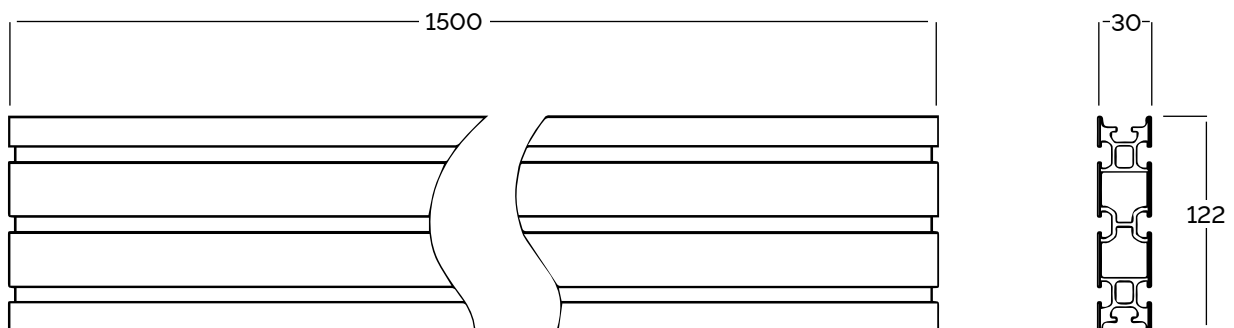
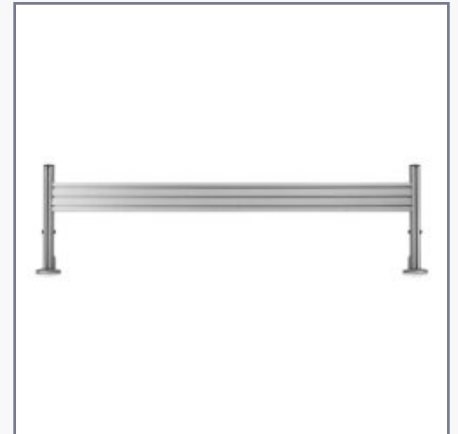
BNEFG809508 - Black



Mounting with (Order separately)

2x Filex Galaxy Post +

Filex Galaxy Universal toolbar/ wall clamp
for mounting arms



9. Filex Galaxy Post 22cm

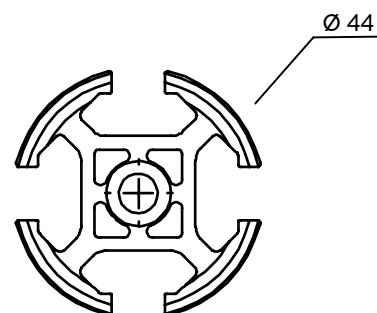
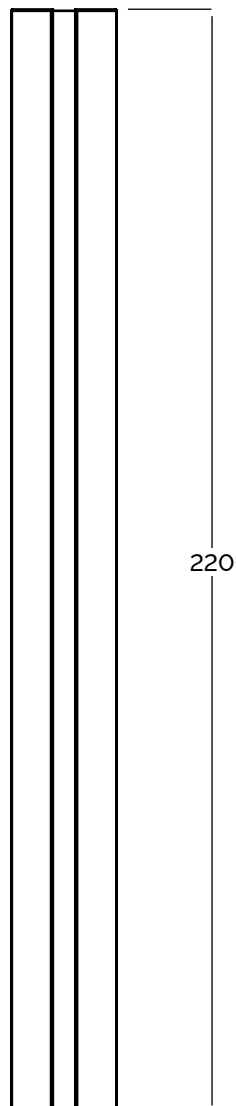
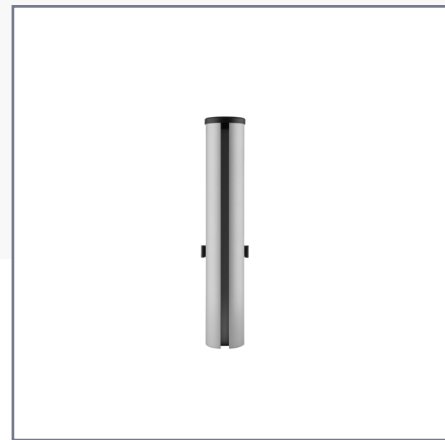
The entire length of the post is fitted with a mounting rail/slot on four sides that can accommodate the infinitely height-adjustable connector for mounting the monitor, Thin Client CPU holder, Filex Galaxy Laptop holder, etc. The post is fitted with a cover at the top and a cable management bracket at the back for cable management.



BNEFG809443 - White

BNEFG809444 - Silver

BNEFG809445 - Black



10. Filex Galaxy Post 45cm

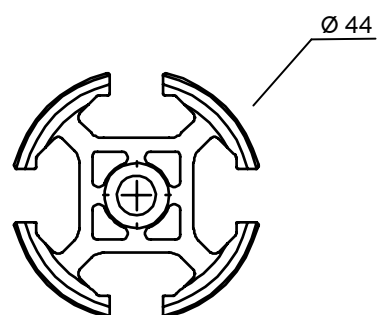
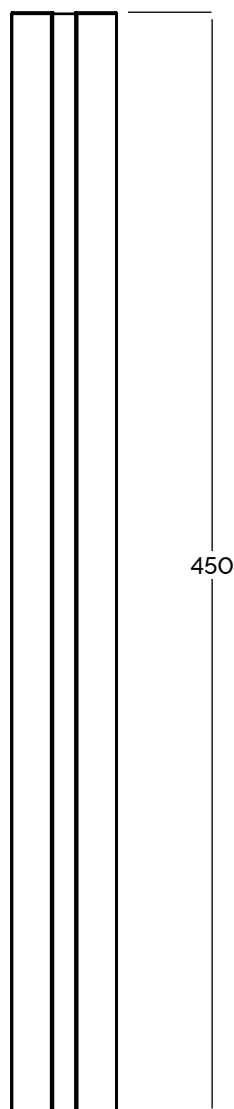
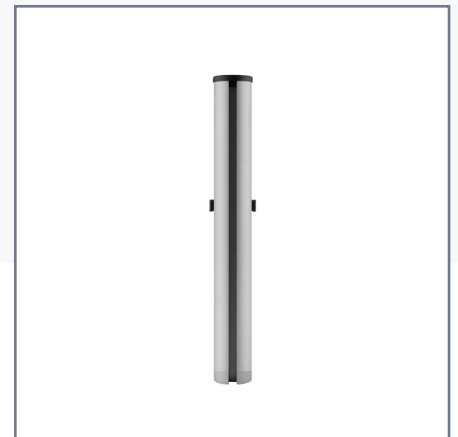
The entire length of the post is fitted with a mounting rail/slot on four sides that can accommodate the infinitely height-adjustable connector for mounting the monitor, Thin Client CPU holder, Filex Galaxy Laptop holder, etc. The post is fitted with a cover at the top and a cable management bracket at the back for cable management.



BNEFG809440 - White

BNEFG809441 - Silver

BNEFG809442 - Black



11. Filex Galaxy Post 70cm

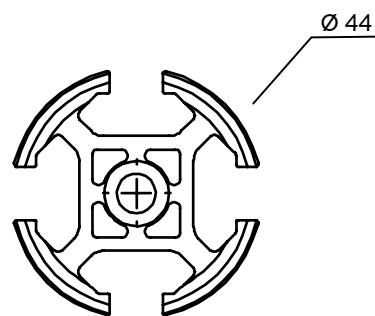
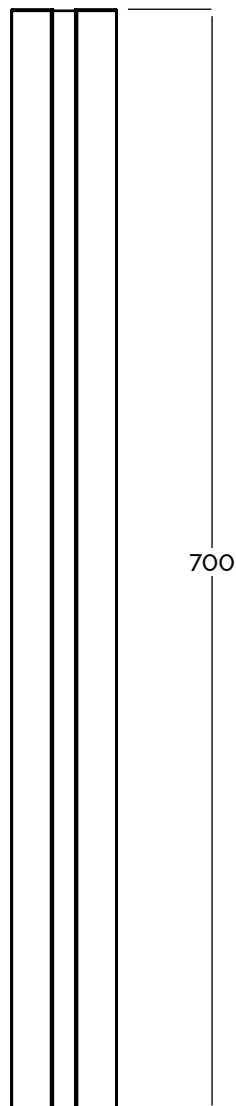
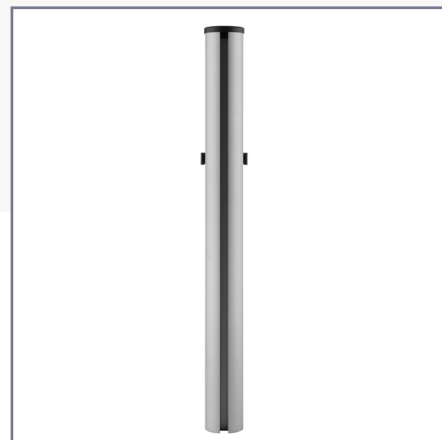
The entire length of the post is fitted with a mounting rail/slot on four sides that can accommodate the infinitely height-adjustable connector for mounting the monitor, Thin Client CPU holder, Filex Galaxy Laptop holder, etc. The post is fitted with a cover at the top and a cable management bracket at the back for cable management.

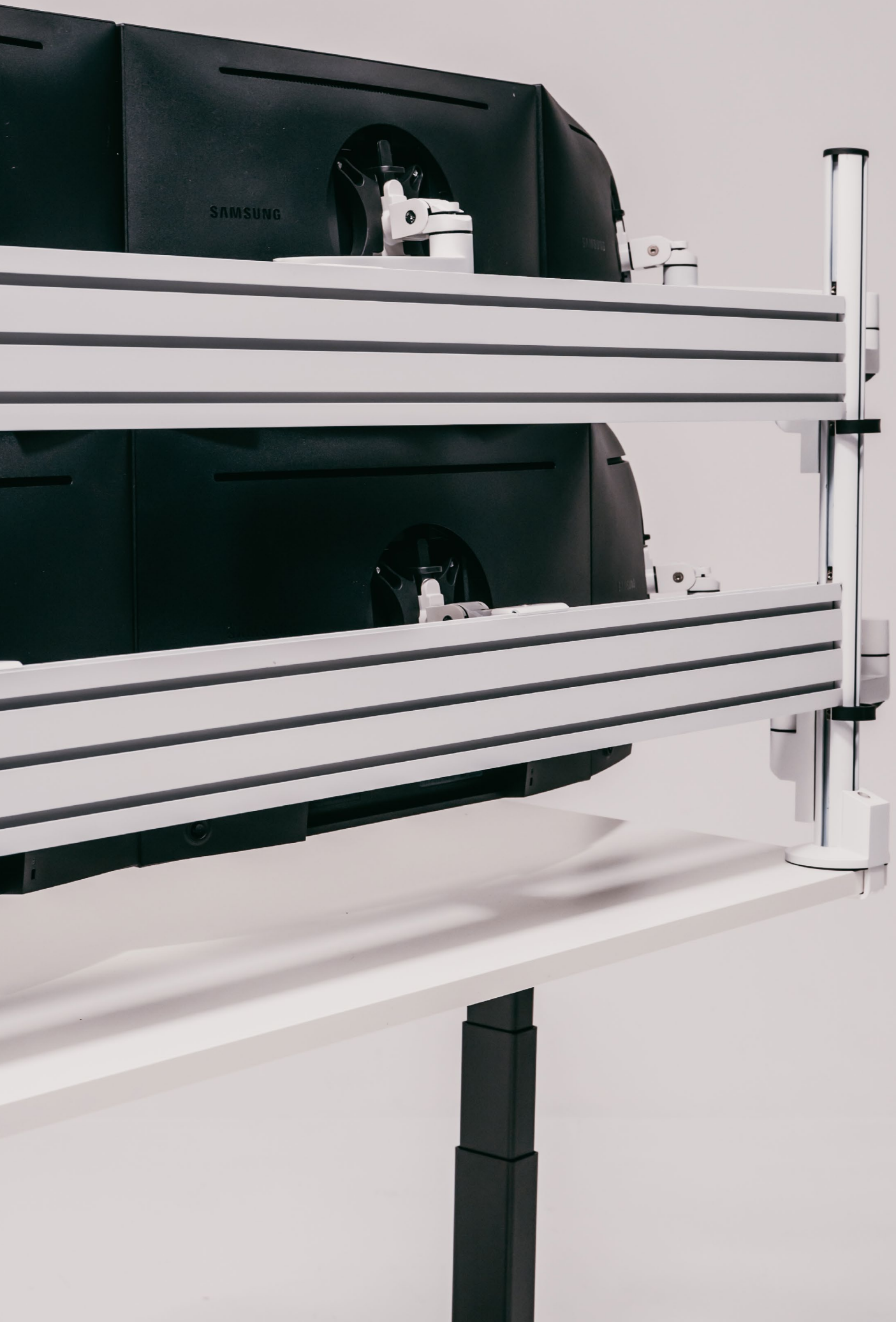


BNEFG809483 - White

BNEFG809484 - Silver

BNEFG809485 - Black





Arms overview

12. Filex Galaxy Straight arm*

The Filex Galaxy Straight arm is a static extension piece in the connector on the post and can be connected and then extended with any static or dynamic arm or directly to the VESA head on your screen. The arm determines the height setting and the depth setting. It is also possible to connect various other accessories such as the laptop holder. This arm is an ideal solution for a fixed workplace.

13. Filex Galaxy Slanted arm*

This budget-friendly Filex Galaxy Slanted arm is a static extension that can be connected to the connector on the post as the first arm. After that, it can be extended with any static or dynamic arm or directly to the VESA head on your screen. The arm determines the height setting and the depth setting. Various other accessories such as the Filex Galaxy Laptop holder can also be connected to it. This arm is the ideal solution for creating height. This arm section is never used individually without additional parts. This arm is, for example, an ideal solution for a fixed workstation.

14. Filex Galaxy Dynamic arm Slanted*

The Filex Galaxy Dynamic arm slanted is equipped with a gas spring for optimal dynamic height adjustment. The Dynamic arm slanted is a dynamic extension that can be connected to the connector on the post as a first arm part. After that it can be extended with any static or dynamic arm or directly to the VESA head on your screen. Various other accessories such as the Filex Galaxy Laptop holder can also be connected to it. This arm is an ideal solution for flexible and hybrid workplaces.

* All our arms include cable management



12. Filex Galaxy Straight arm

The Filex Galaxy Straight arm is a static extension piece in the connector on the post and can be connected and then extended with any static or dynamic arm or directly to the VESA head on your screen. The arm determines the height setting and the depth setting. It is also possible to connect various other accessories such as the laptop holder. This arm is an ideal solution for a fixed workplace.



BNEFG809470 - White

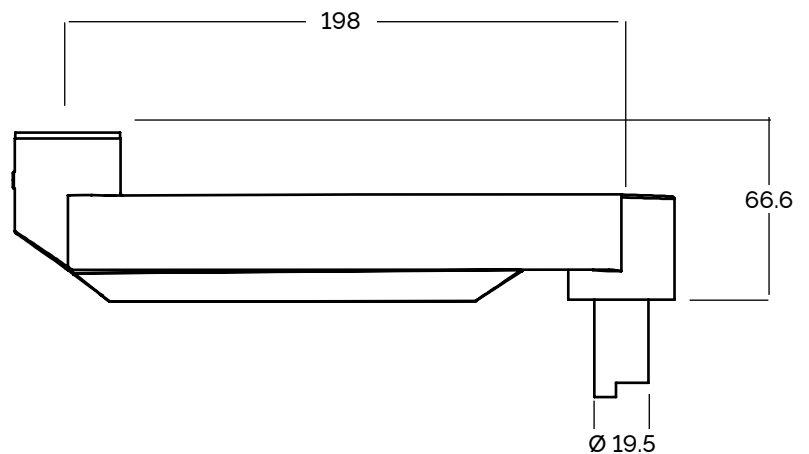
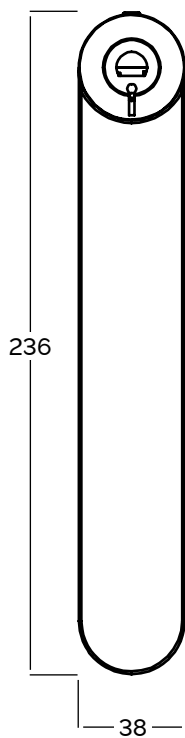
BNEFG809471 - Silver

BNEFG809472 - Black



Maximum permitted weight

12 kg



13. Filex Galaxy Arm Slanted

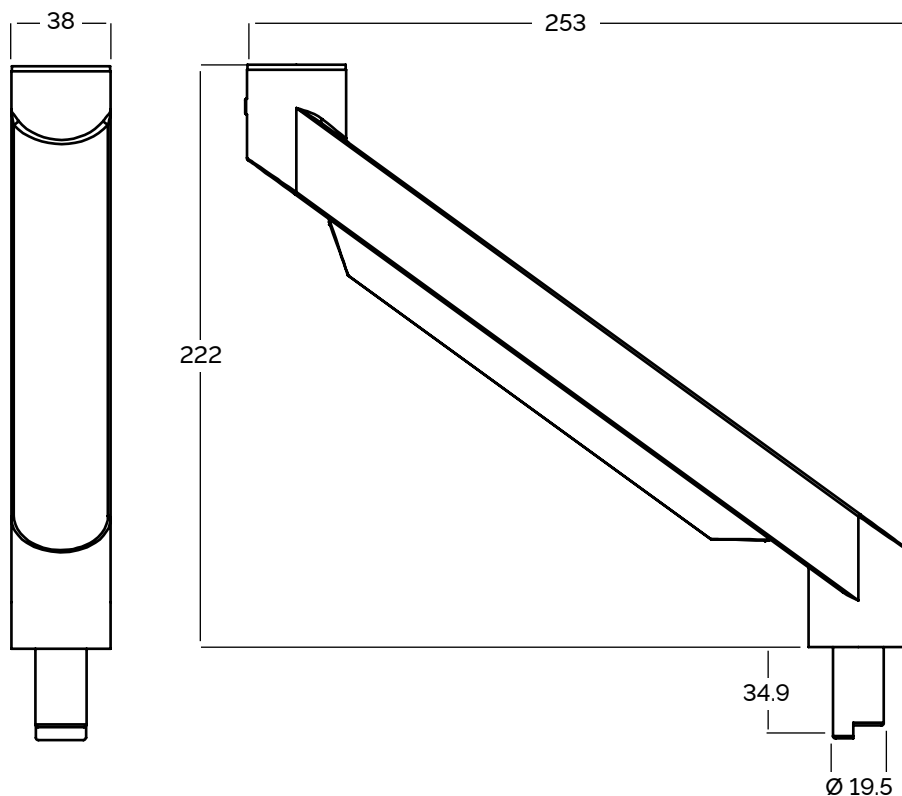
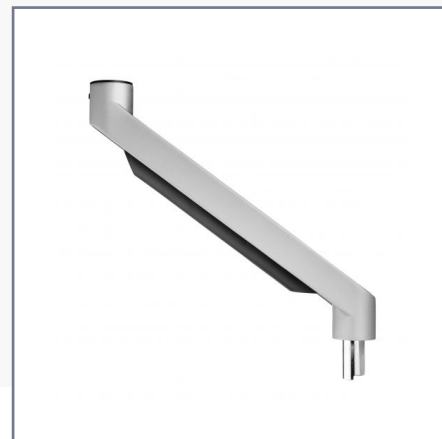
This budget-friendly Filex Galaxy Slanted arm is a static extension that can be connected to the connector on the post as the first arm. After that, it can be extended with any static or dynamic arm or directly to the VESA head on your screen. The arm determines the height setting and the depth setting. Various other accessories such as the Filex Galaxy Laptop holder can also be connected to it. This arm is the ideal solution for creating height. This arm section is never used individually without additional parts. This arm is, for example, an ideal solution for a fixed workstation.



- BNEFG809480** - White
- BNEFG809481** - Silver
- BNEFG809482** - Black



Maximum permitted weight
12 kg



14, Filex Galaxy Dynamic arm Slanted

The Filex Galaxy Dynamic arm slanted is equipped with a gas spring for optimal dynamic height adjustment. The Dynamic arm slanted is a dynamic extension that can be connected to the connector on the post as a first arm part. After that it can be extended with any static or dynamic arm or directly to the VESA head on your screen. Various other accessories such as the Filex Galaxy Laptop holder can also be connected to it. This arm is an ideal solution for flexible and hybrid workplaces.



BNEFG809470 - White

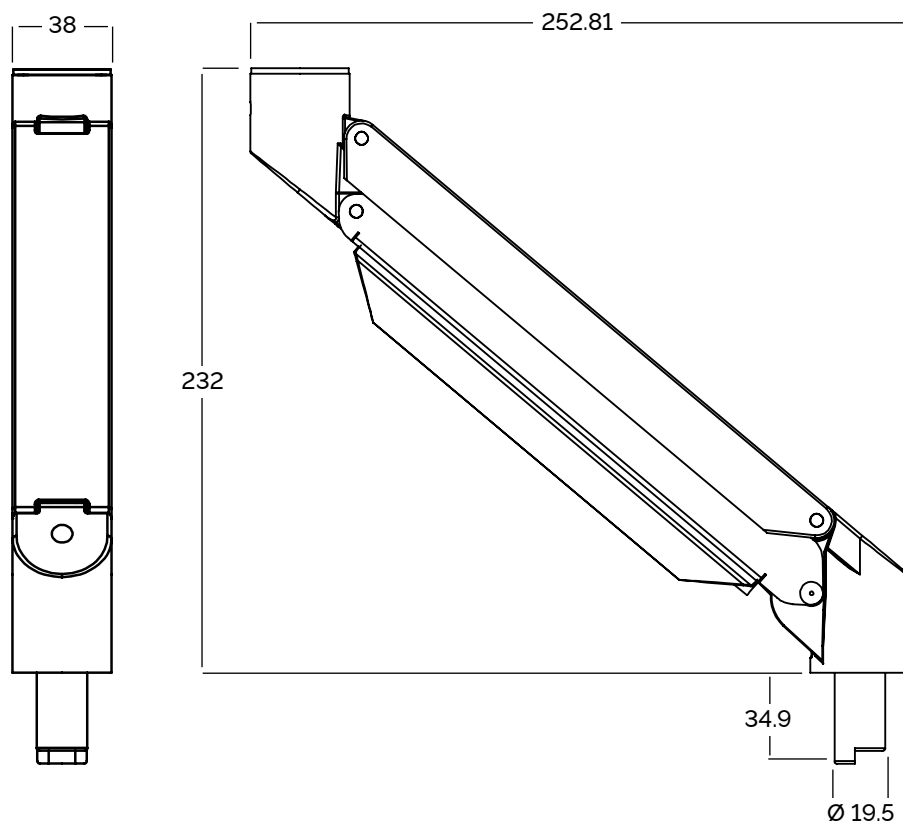
BNEFG809471 - Silver

BNEFG809472 - Black



Maximum permitted weight

2 - 12 kg



Dimensions are in mm

15. Filex Galaxy Connector

The connector has an integrated rotation stop that has 3 positions (adjustable by 90 degrees) and can be fitted with a VESA head, a static arm or a dynamic gas spring arm.

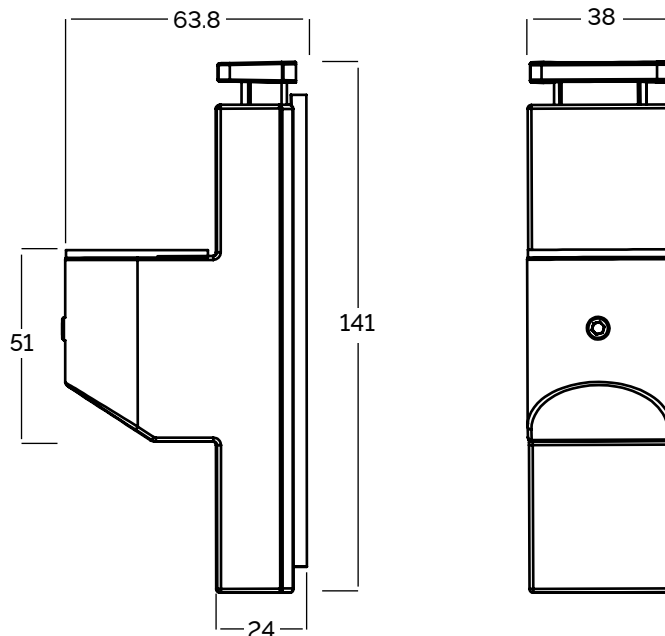
With this unique connector you can quickly and easily adjust the height of the arm. It is equipped with an integrated rotation stop. This prevents it from hitting your surrounding behind your desk. This connector is compatible with a VESA head, a static or dynamic arm. This connector is patented.



BNEFG809467 - White

BNEFG809468 - Silver

BNEFG809469 - Black



16. Filex Galaxy Electrification holder

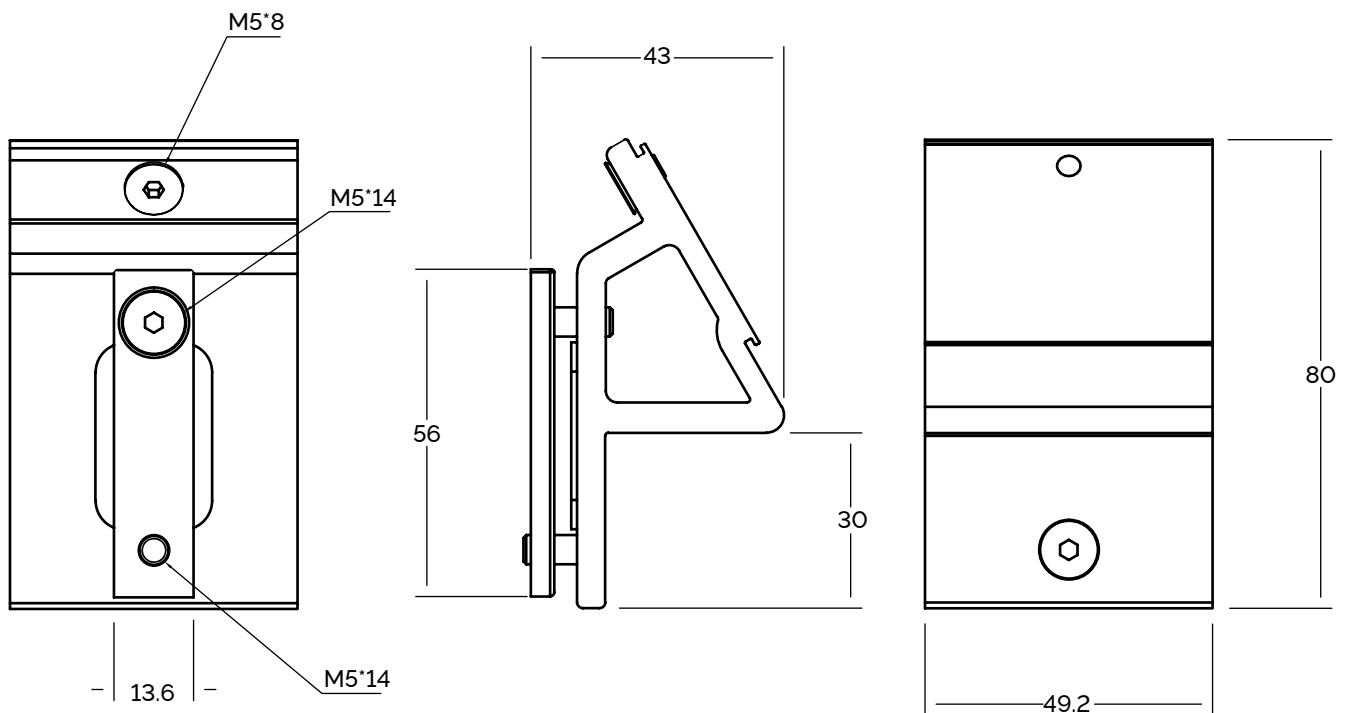
Avoid drilling in your office and opt for simplicity and comfort by installing all your electrifications on your arm, so you don't have to attach separate units or clamps under your desk. You can mount all Filex Desk Up[®] 1.0 electrification units on this clamp.



BNEFG809495 - White

BNEFG809496 - Silver

BNEFG809497 - Black



Dimensions are in mm

17. Filex Galaxy VESA Head with quick release

Filex Galaxy VESA head with quick release can be set to landscape or portrait. The flexible joint in the VESA head allows the monitor to rotate and tilt easily. The VESA head can be used to mount monitors, Thin Clients and Filex Galaxy Laptop holder.



BNEFG809464 - White

BNEFG809465 - Silver

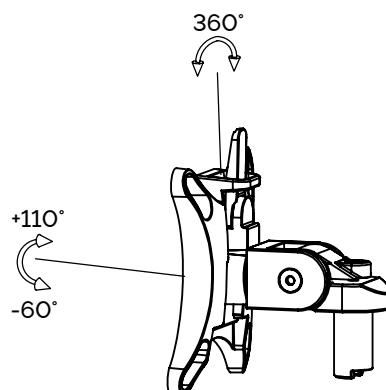
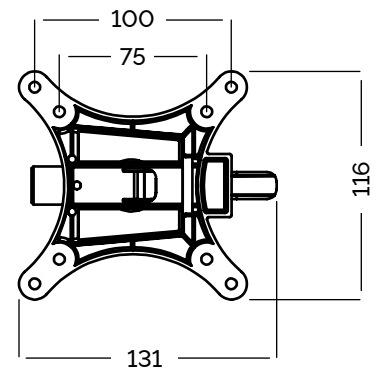
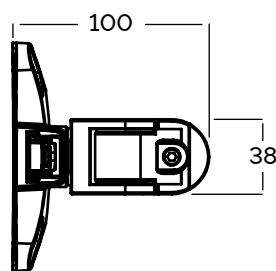
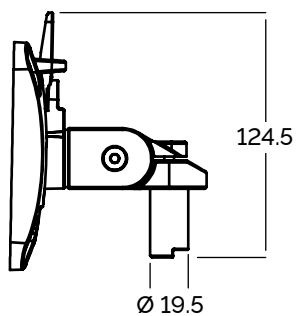
BNEFG809466 - Black



VESA sizes

75 x 75

100 x 100



18. Filex Galaxy VESA Head for crossbar

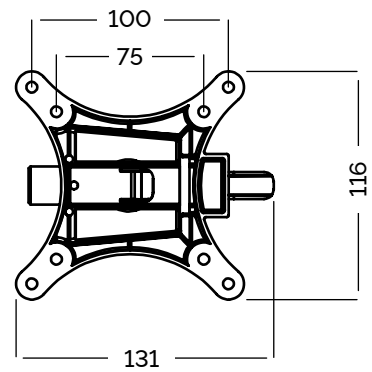
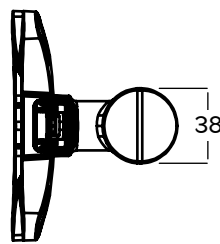
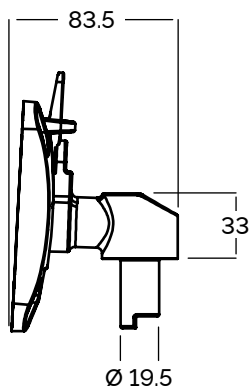
This VESA connector is specially designed for a crossbar and the VESA slider. This connector provides a rigid direct connection with the crossbar or VESA slider. This provides a stable solution that prevents the monitors from lowering.



BNEFG809500 - White
BNEFG809501 - Silver
BNEFG809502 - Black



VESA sizes
 75 x 75
 100 x 100



19. Filex Galaxy VESA Slider

By using the Filex VESA slider, you can move the screen from left to right seamlessly providing the correct ergonomical position or the most optimal position for the user. By using the Filex VESA slider, you can seamlessly move the monitor from left to right and horizontally and vertically for the correct ergonomic position or the most optimal position for the user. This solution is also often used to create a distance between the screens, so that you can also place larger screens and because of the slider you can place them against each other and position them correctly.



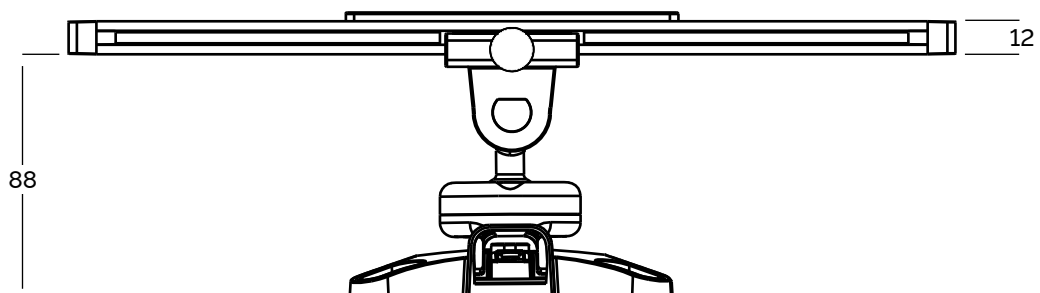
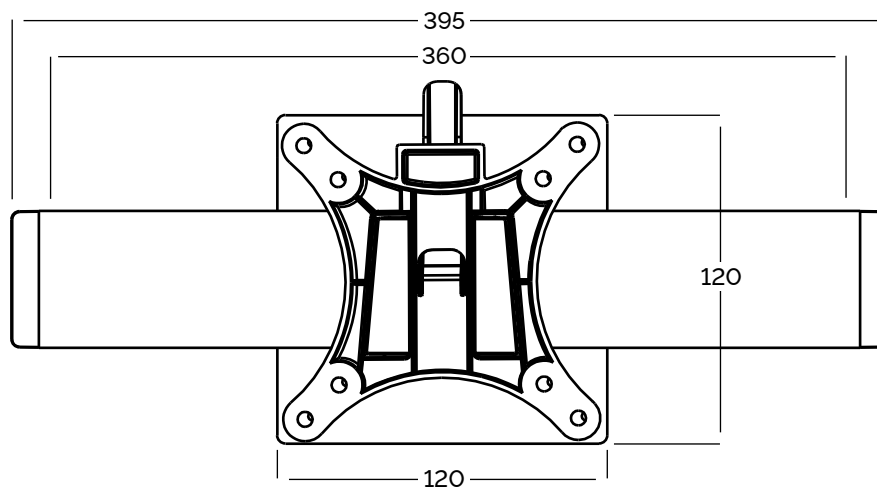
BNEFG809503 - Black



VESA sizes

75 x 75

100 x 100



20. Filex Galaxy Crossbar

This Filex Crossbar can turn a single monitor arm suitable for 1 screen into an optimal ergonomically responsible solution for 2 screens. The Crossbar is equipped with a VESA with Quick Release and a ball joint per screen. This gives you an optimal independent adjustment per monitor.



BNEFG809446 - Black
BNEFG809447 - White
BNEFG809448 - Silver



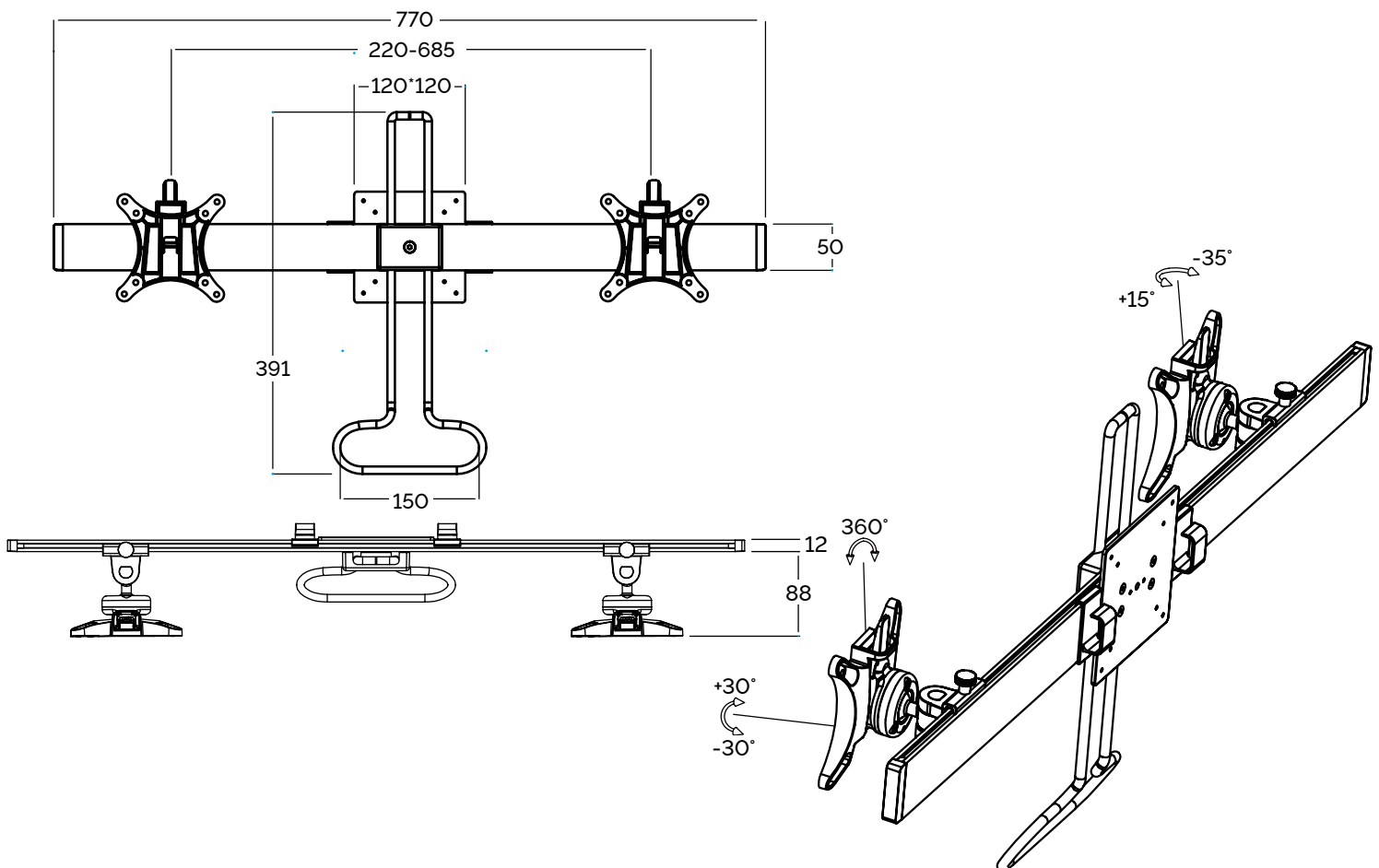
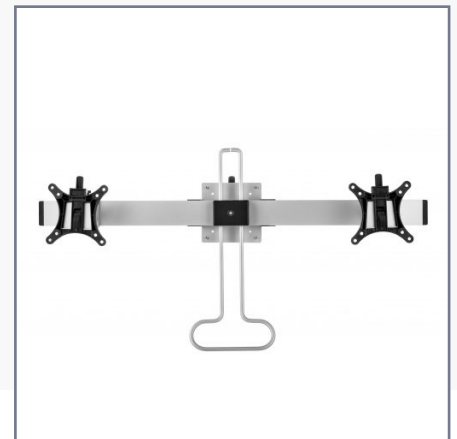
VESA sizes

75 x 75
 100 x 100



Requires

Filex Galaxy VESA head for crossbar



Dimensions are in mm

21. Filex Galaxy Laptop holder

With this Filex Galaxy Laptop holder you can quickly and easily mount any laptop or tablet to the VESA head of your monitor arm and flexibly adjust it to the desired height and viewing angle. Ideal for flexible workplaces or home workplaces.



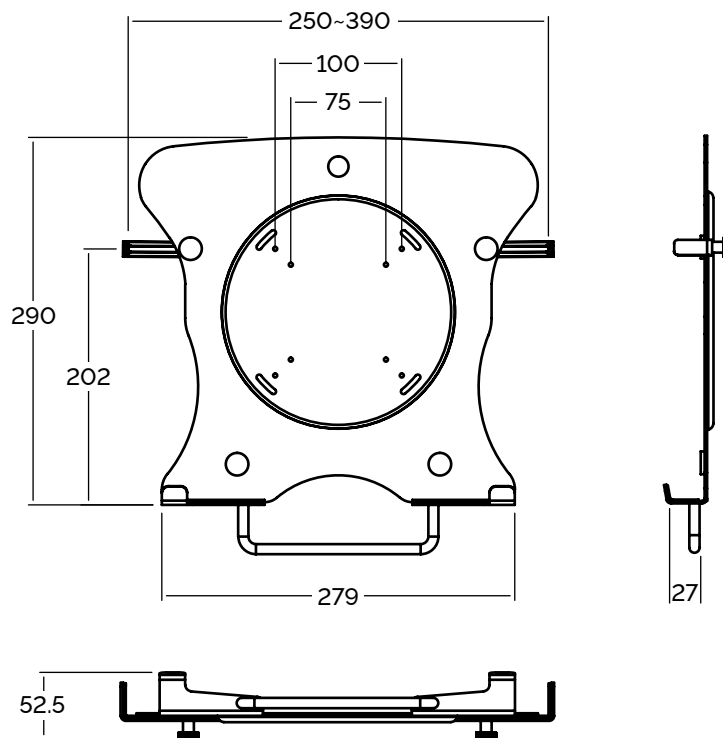
BNEFG809498 - Black



VESA sizes

75 x 75

100 x 100



22. Filex Galaxy Sit Stand Workstation

Stable solution in combination with the Filex Galaxy monitor arm for using a keyboard and mouse at any desired height and position. This solution is widely used in hospitals and care facilities

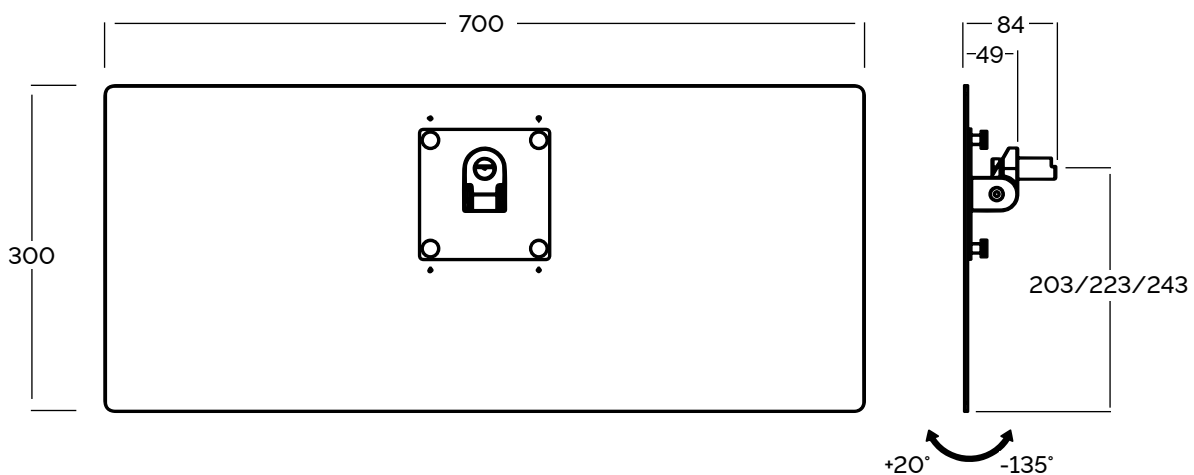


BNEFG809516 - White
BNEFG809517 - Black



Mounting with (Order separately)

Filex Galaxy Desk Clamp, Post 70 cm and the Filex Galaxy Straight arm to mount the Sit Stand workstation To mount the screen you need a Filex Galaxy connector and a Filex Galaxy VESA Head with quick release.



23. Filex Galaxy Thin Client CPU holder

The Thin Client CPU holder is specially designed for every brand and type of Thin Client and is easy to mount on the post. The Thin client is fixed to the Thin Client CPU holder by a convenient sliding-kick system. The use of absorbent foam protects the Thin Client from scratches. This gives you a tidy desk at all times. You can mount the CPU holder on the back of the desk, among other things.



BNEFG809510 - White

BNEFG809511 - Silver

BNEFG809512 - Black



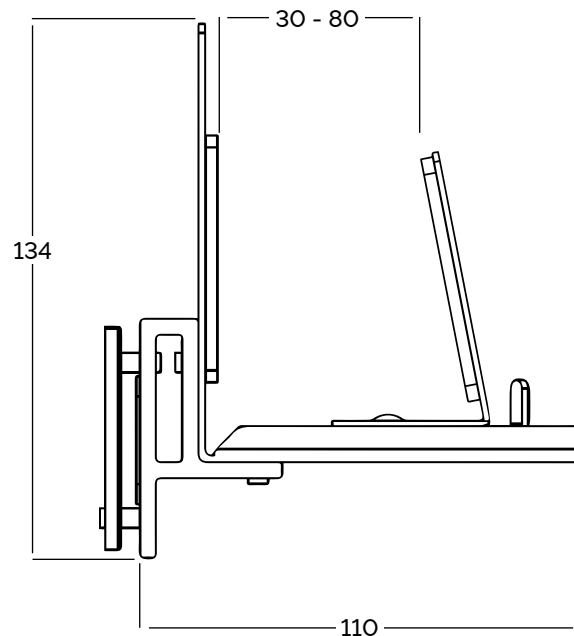
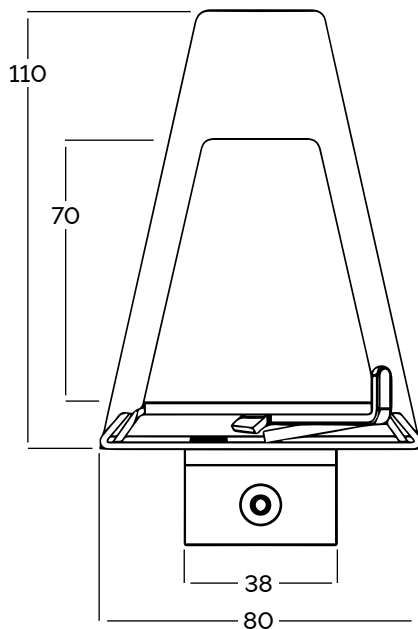
Maximum thickness Thin Client

30 - 80 mm



Securing Thin Client

Click and slide system



Standard configurations



Each configuration described below is adaptable to future needs, needs in the future. The configurations are modular and circular and can be expanded.

Filex Galaxy Modular Single Short

The height of this installation is easily and infinitely adjustable, thanks to the patented connector with 180 degrees rotation stop. The flexible, quick-release VESA head allows the monitor to be tilted, rotated and swiveled. This setup is easily extended with Crossbar and VESA head for crossbar to expand to 2 screens.



BNEFG809430 - White
BNEFG809431 - Silver
BNEFG809432 - Black



Configurations

- 1 - Filex Galaxy Post 45cm
- 1 - Filex Galaxy Desk Clamp
- 1 - Filex Galaxy Desk through mount
- 1 - Filex Galaxy Connector
- 1 - Filex Galaxy VESA head with quick release



Rotation stop 180°
Yes



Cable management
Yes



Number of screens
1



Load capacity
12 kg

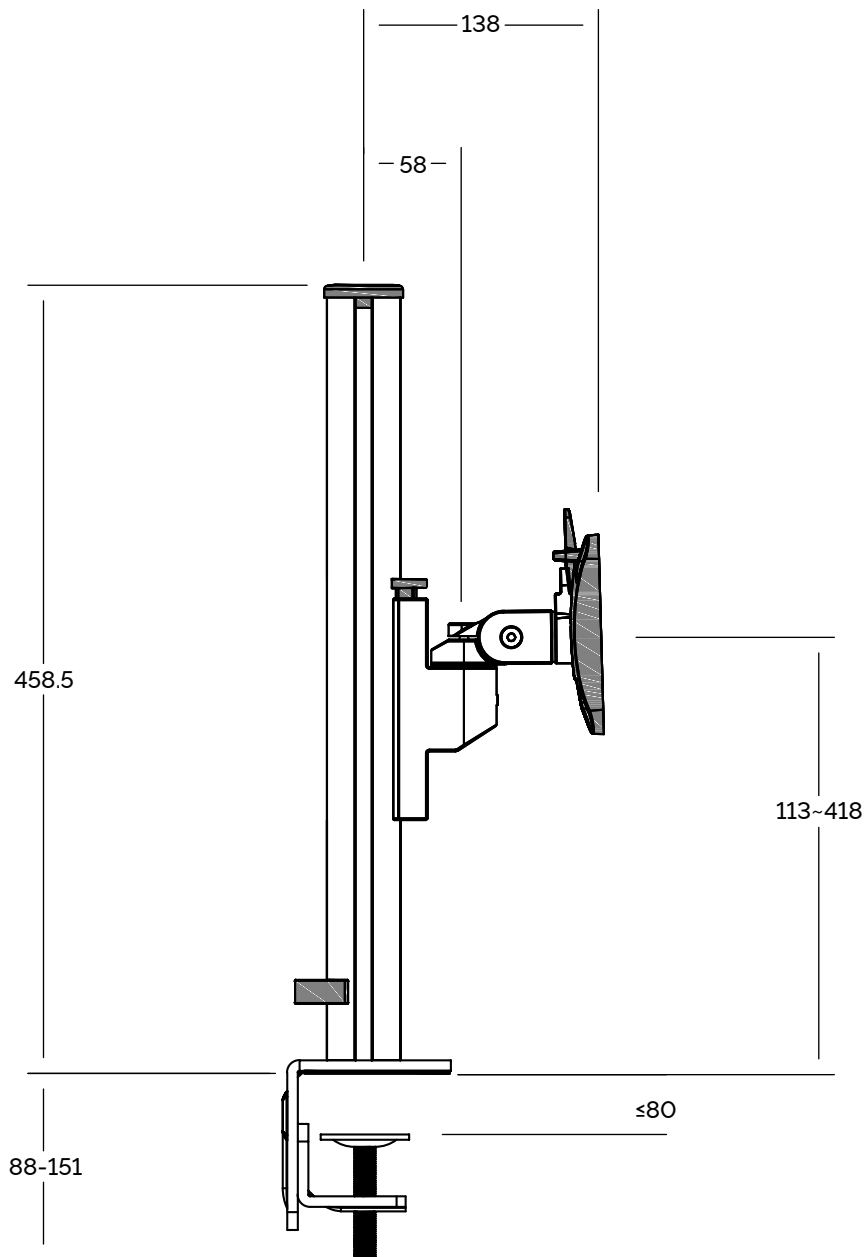


Adjustability
+/- 90 degrees rotation (landscape or portrait), 45 degrees swivel and tilt



Circular
100 % recyclable and made of 98.8% sustainable materials





Go to the website for
this solution

Dimensions are in mm

Filex Galaxy Modular Single

Fully adjust the height and depth of the monitor with the patented and built-in 180-degree stop in the connector on the post. The 3 pivot points on the Filex Galaxy Straight arm and VESA head allow the monitor to be tilted, rotated and swung. This setup is easily extended with Crossbar and VESA head for crossbar to expand to 2 screens.



BNEFG809410 - White
BNEFG809411 - Silver
BNEFG809412 - Black



Configurations

- 1 - Filex Galaxy Post 45cm
- 1 - Filex Galaxy Desk Clamp
- 1 - Filex Galaxy Desk through mount
- 1 - Filex Galaxy Connector
- 2 - Filex Galaxy Straight arm
- 1 - Filex Galaxy VESA head with quick release



Rotation stop 180°
Yes



Cable management
Yes



Number of screens
1



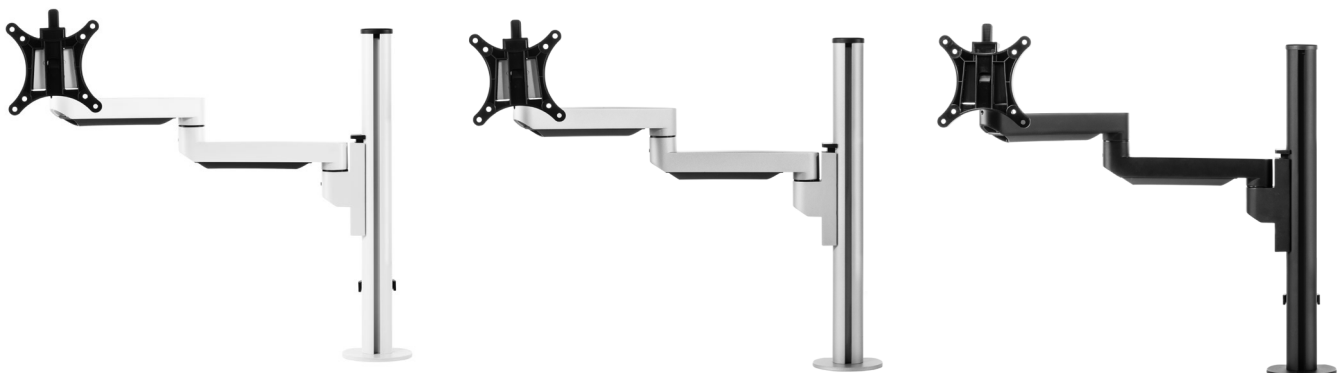
Load capacity
12 kg

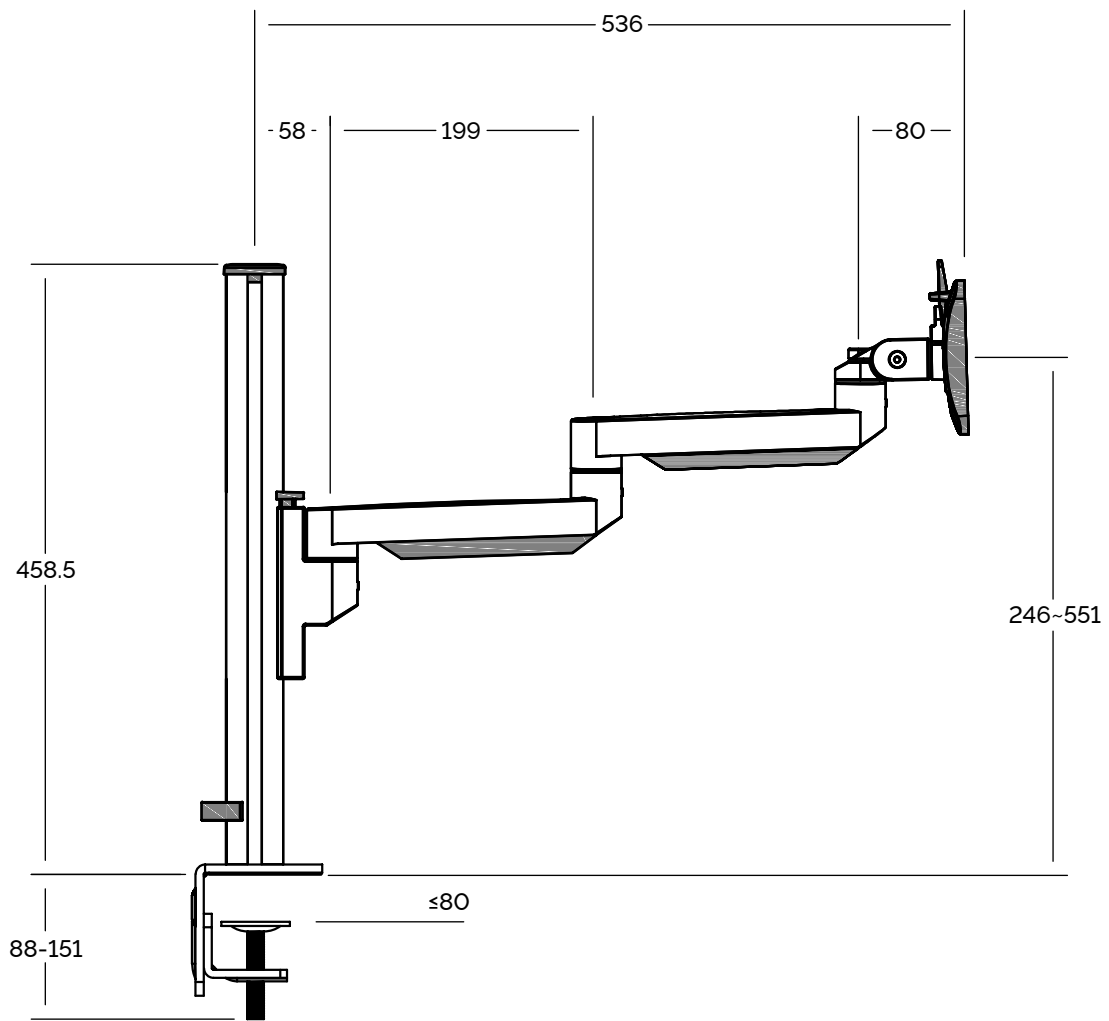


Adjustability
+/- 90 degrees rotation (landscape or portrait), 45 degrees swivel and tilt



Circular
100 % recyclable and made of 98.8% sustainable materials





Go to the website for
this solution

Dimensions are in mm

Filex Galaxy Modular Dual

Fully adjust the height and depth of the monitor with the patented and built-in 180-degree stop in the connector on the post. The 3 arm pivot points and VESA head allow the monitor to be tilted, rotated and swung.



- BNEFG809420** - White
- BNEFG809421** - Silver
- BNEFG809422** - Black



Configurations

- 1 - Filex Galaxy Post 45cm
- 1 - Filex Galaxy Desk Clamp
- 1 - Filex Galaxy Desk through mount
- 2 - Filex Galaxy Connector
- 4 - Filex Galaxy Straight arm
- 2 - Filex Galaxy VESA head with quick release



Rotation stop 180°

Yes



Cable management

Yes



Number of screens

2



Load capacity

12 kg



Adjustability

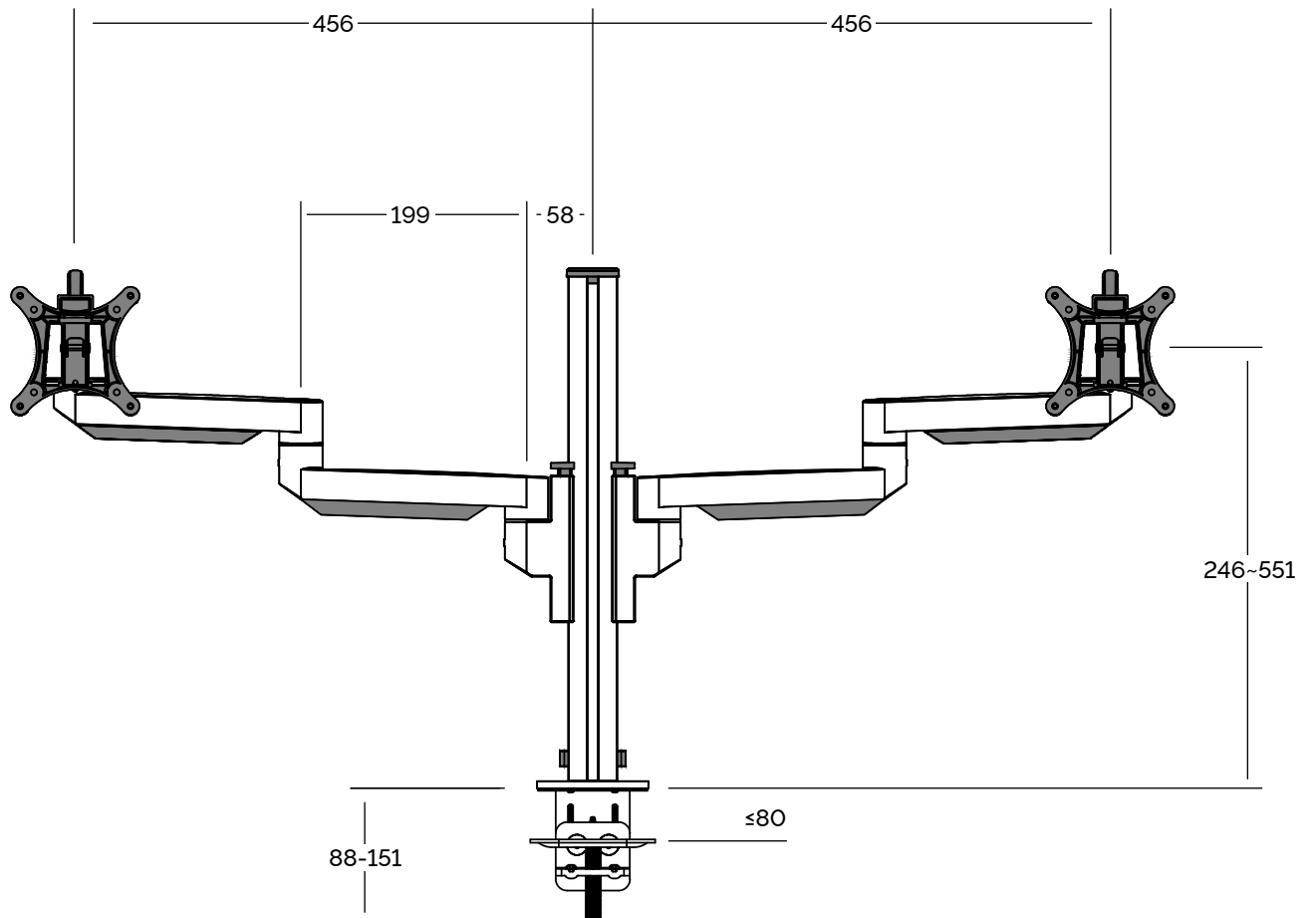
+/- 90 degrees rotation (landscape or portrait), 45 degrees swivel and tilt



Circular

100 % recyclable and made of 98.8% sustainable materials





Go to the website for
this solution

Dimensions are in mm

Filex Galaxy Modular Flex Single Silver

This monitor arm is equipped with a Filex Galaxy Straight arm and a Filex Galaxy Dynamic slanted arm for optimal height and depth. This arm is fully adjustable with the patented and built-in 180 degree stop in the connector on the post. Thanks to the VESA standard, the monitor can tilt, rotate and swivel at any time for an optimal viewing angle. This setup is easily extended with Crossbar and VESA head for crossbar to expand to 2 screens.



BNEFG809417-S - Silver



Configurations

- 1 - Filex Galaxy Post 22cm
- 1 - Filex Galaxy Desk Clamp
- 1 - Filex Galaxy Desk through mount
- 1 - Filex Galaxy Connector
- 1 - Filex Galaxy Straight arm
- 1 - Filex Galaxy Dynamic slanted arm
- 1 - Filex Galaxy VESA head with quick release



Rotation stop 180°

Yes



Cable management

Yes



Number of screens

1



Load capacity

2 - 12 kg



Adjustability

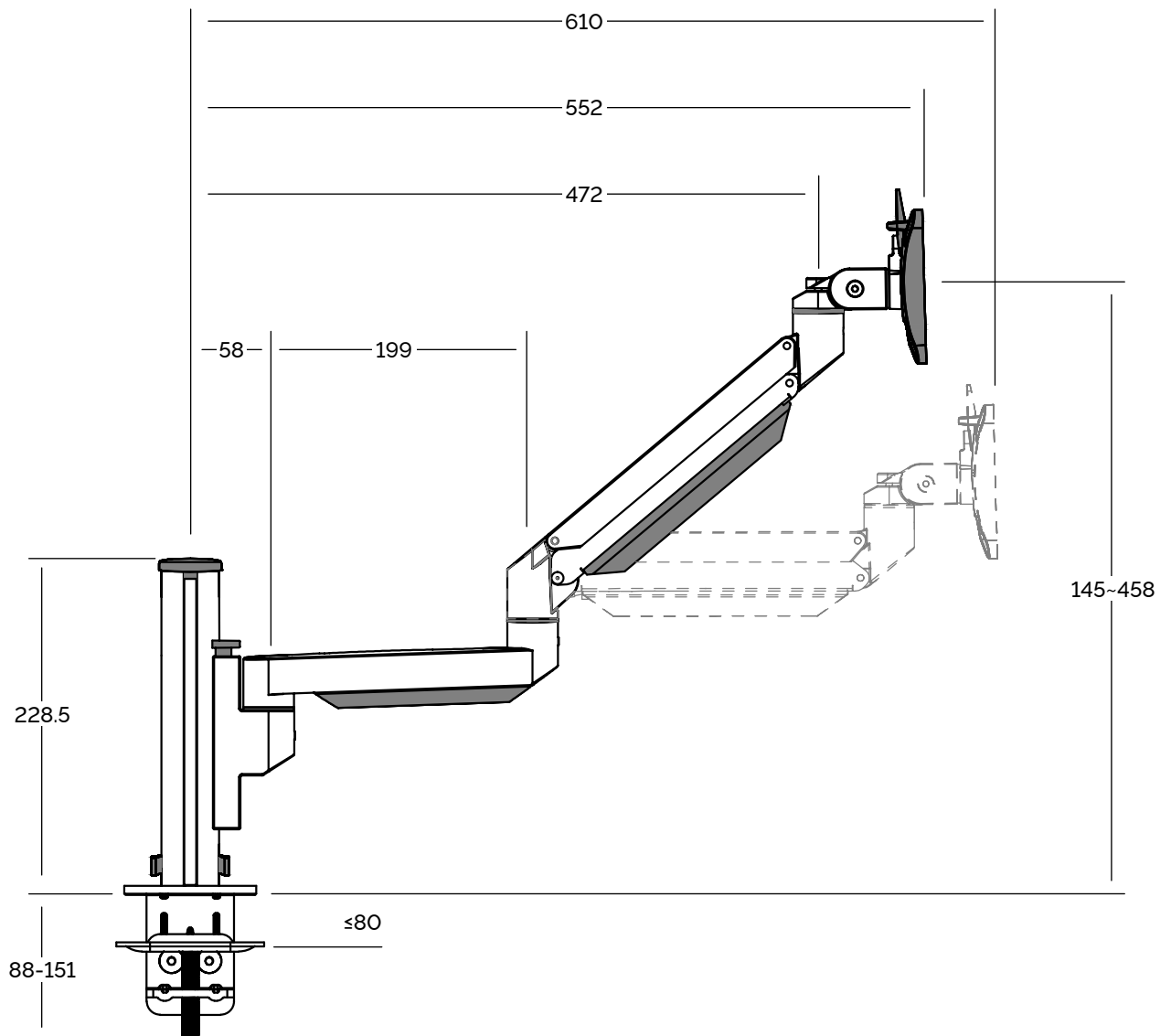
+/- 90 degrees rotation (landscape or portrait), 45 degrees swivel and tilt



Circular

100 % recyclable and made of 98.8% sustainable materials





Go to the website for
this solution

Dimensions are in mm

Filex Galaxy Modular Flex Dual Silver

This Filex Galaxy configuration is equipped with 2 monitor arms with a Filex Galaxy Straight arm and a Filex Galaxy Dynamic slanted arm for optimal height and depth. Deze arm is volledig traploos in te stellen met de gepatenteerde en ingebouwde 180 graden stop in de connector op de post. The VESA standard ensures that the screens can tilt, rotate and swivel at all times.



BNEFG809416-S - Silver



Configurations

- 1 - Filex Galaxy Post 22cm
- 1 - Filex Galaxy Desk Clamp
- 1 - Filex Galaxy Desk through mount
- 2 - Filex Galaxy Connector
- 2 - Filex Galaxy Straight arm
- 2 - Filex Galaxy Dynamic slanted arm
- 2 - Filex Galaxy VESA head with quick release



Rotation stop 180°

Yes



Cable management

Yes



Number of screens

2



Load capacity

2 - 12 kg



Adjustability

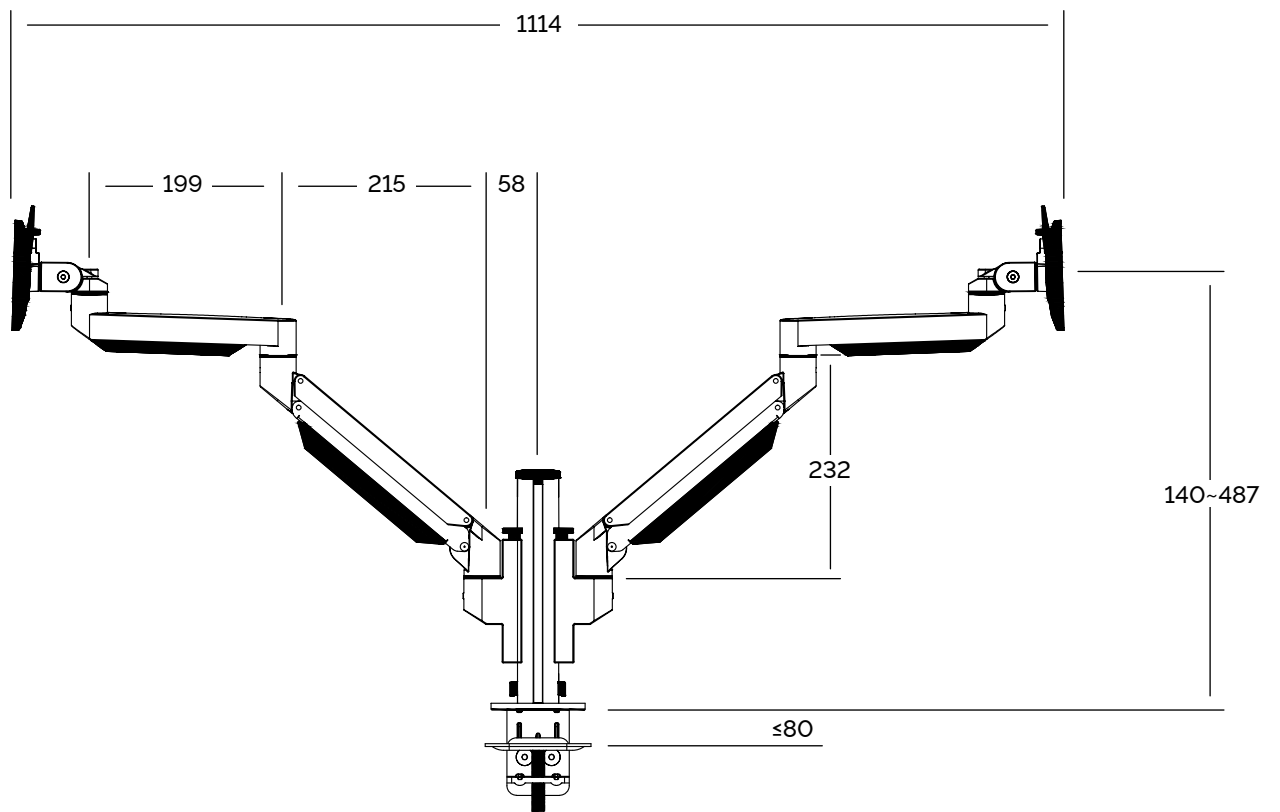
+/- 90 degrees rotation (landscape or portrait), 45 degrees swivel and tilt



Circular

100 % recyclable and made of 98.8% sustainable materials





Go to the website for
this solution

Dimensions are in mm

Filex Galaxy Flex Single

This Filex Galaxy configuration is equipped with 2 monitor arms with a Filex Galaxy Straight arm and a Filex Galaxy Dynamic slanted arm for optimal height and depth. This arm is fully adjustable with the patented and built-in 180 degree stop in the connector on the post. The VESA standard ensures that the screens can tilt, rotate and swivel at all times. This setup is easily extended with Crossbar and VESA head for crossbar to expand to 2 screens.



BNEFG809415-S - Silver



Rotation stop 180°

Yes



Parts

- 1 - Filex Galaxy Clamp incl. desk feed through
- 1 - Filex Galaxy Straight arm
- 1 - Filex Galaxy Dynamic slanted arm
- 1 - Filex Galaxy VESA head with quick release



Cable management

Yes



Number of screens

1



Load capacity

2 - 12 kg



Adjustability

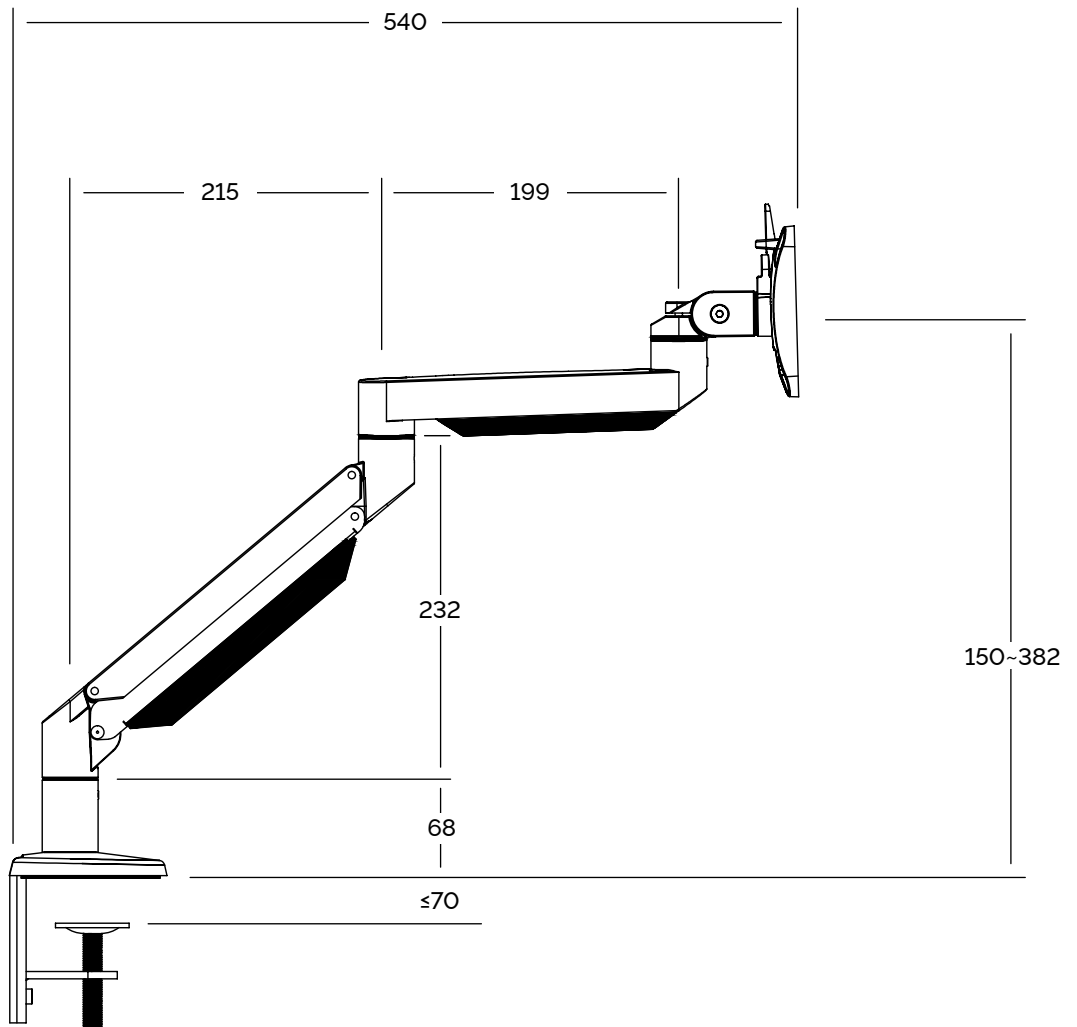
+/- 90 degrees rotation (landscape or portrait), 45 degrees swivel and tilt



Circular

100 % recyclable and made of 98.8% sustainable materials





Go to the website for
this solution

Dimensions are in mm

Filex Galaxy Flex Dual Crossbar

The handle and the gas spring make it completely infinitely adjustable. This is due to the patented and built-in 180 degree stop in the connector on the post. The flexible VESA head with quick release allows the screens to tilt, rotate and swivel independently from each other.



BNEFG809427-S - Silver



Configurations

- 1 - Filex Galaxy Clamp incl. desk feed through
- 1 - Filex Galaxy Slanted arm
- 1 - Filex Galaxy Dynamic slanted arm
- 1 - Filex Galaxy VESA head for crossbar
- 1 - Filex Galaxy Crossbar



Rotation stop 180°

Yes



Cable management

Yes



Number of screens

2



Load capacity

2 - 12 kg



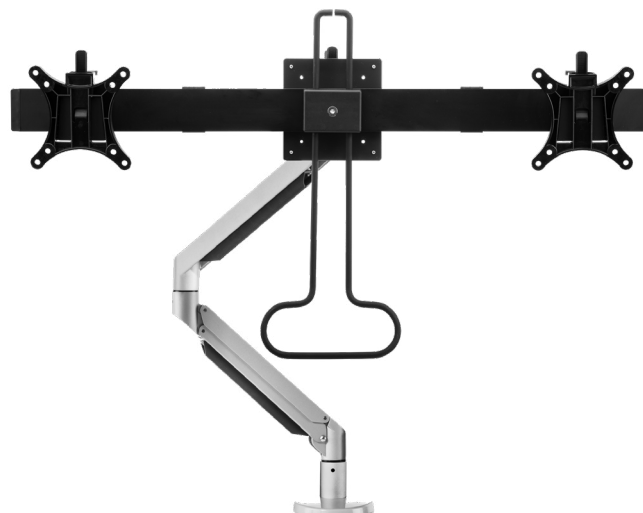
Adjustability

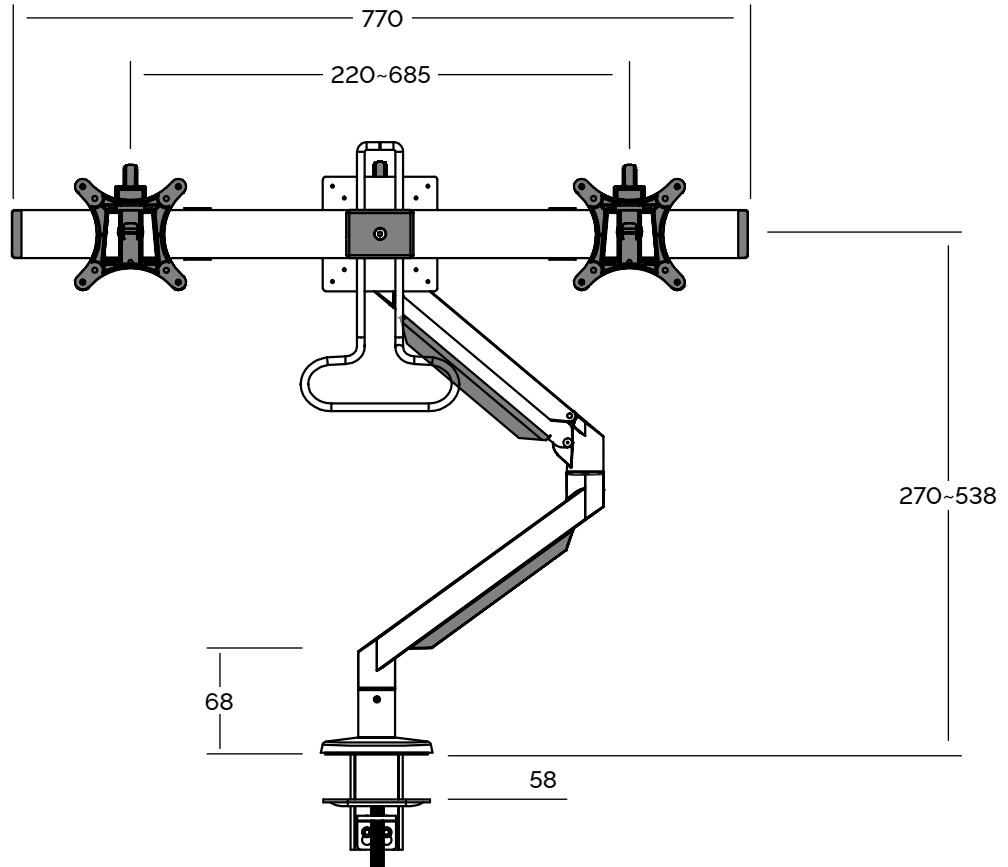
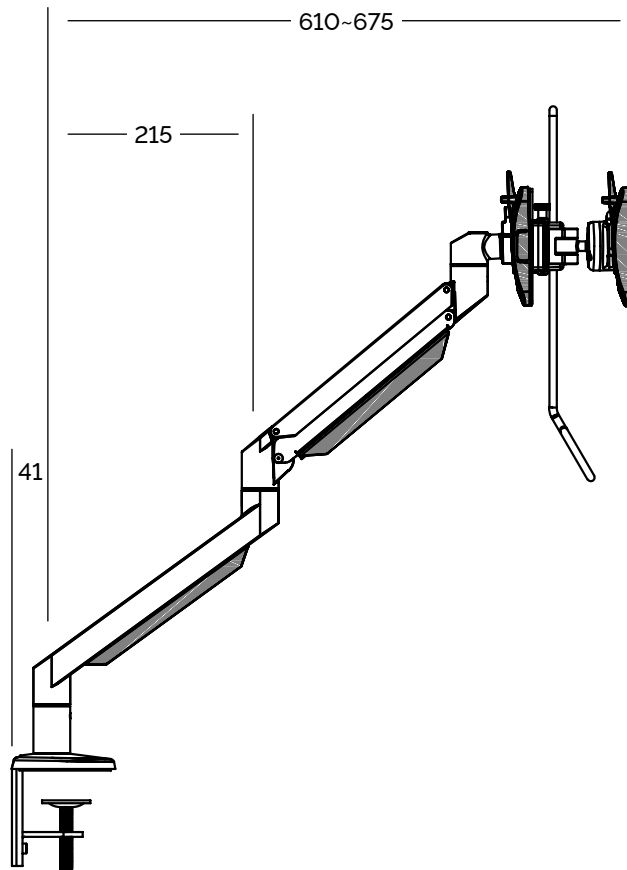
+/- 90 degrees rotation (landscape or portrait), 45 degrees swivel and tilt



Circular

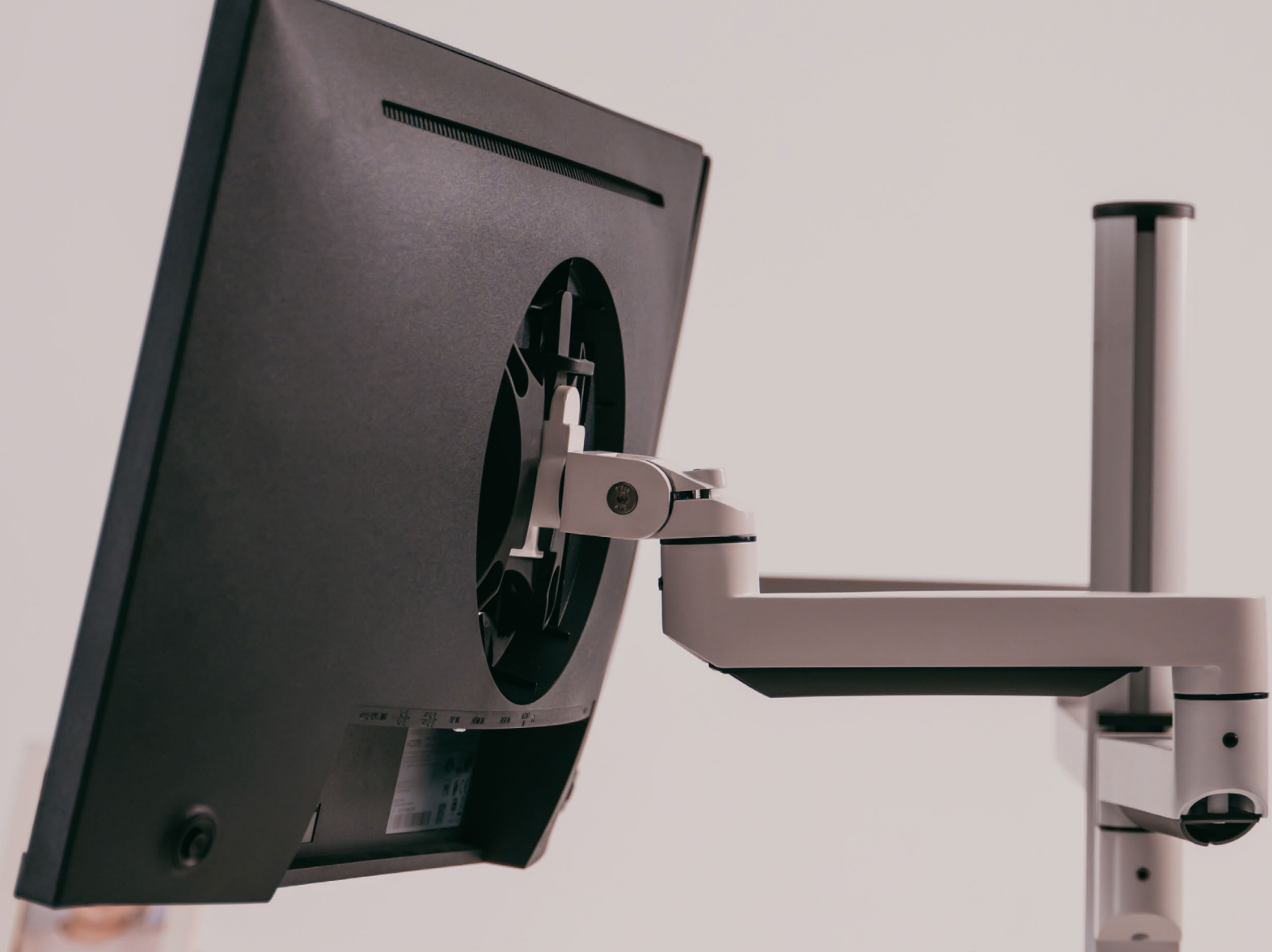
100 % recyclable and made of 98.8% sustainable materials



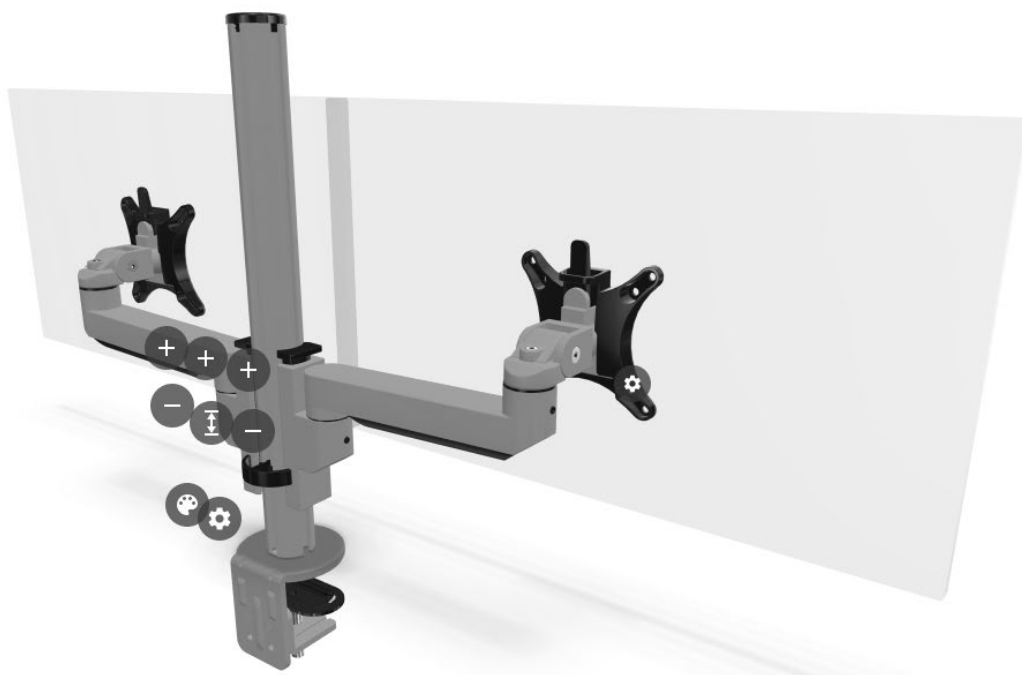


Go to the website for
this solution

Dimensions are in mm



Configure your optimal setup!





Electrification

Because of the technical developments when it comes to laptops, tablets and smartphones, proper electrification in your work place is essential. This ensures the right possibilities for electricity, image, sound and data. Almost all Filex electrification products are, besides being CE-certified as required, also TÜV-certified!

A TÜV certificate or TÜV label is a confirmation that a product, service, process or organisation meets the requirements set by legislation, standards and quality marks.

Filex's electrification units distinguish themselves by their simplicity and flexibility. Electrification can be divided into 3 groups:

- Top mount: usually clamped onto the desktop;
- Built in: integrated into the desktop;
- Below mount: in the cable gutter or under the desktop.

Recycling

Recycling rate

Stage of reusability Score	Score	Status
Product reuse	0%	Circular
Recovery raw material	98%	Circular
Other material reuse	2%	Circular
Incineration with energy production	0%	Non-circular
Incineration without energy production	0%	Undesirable
Deposit	0%	Undesirable



Download the circular certificate
here

Inspiration

Our biggest fan, Robert, has been dreaming for years about what he wants to be when he grows up. Are you curious as to how the Filex Galaxy series can help Robert to make sure his dreams come true?



Watch our video





Work Smart, Feel Good